



XP 2000 Series Hoses 220 VAC

HOSE PART NUMBER		LENGTH	
CORE			
XP	06 = 3/8" dia., ≈30 W per linear ft	08 = 8 ft	-2000
	08 = 1/2" dia., ≈40 W per linear ft	12 = 12 ft	
	10 = 5/8" dia., ≈50 W per linear ft	16 = 16 ft	
<i>Other lengths available</i>			



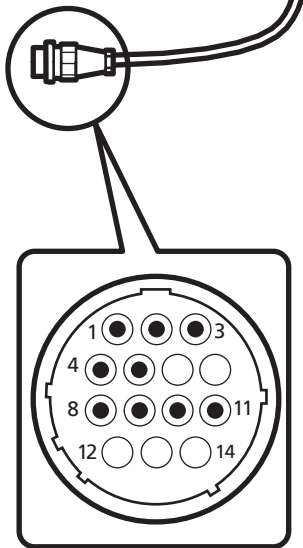
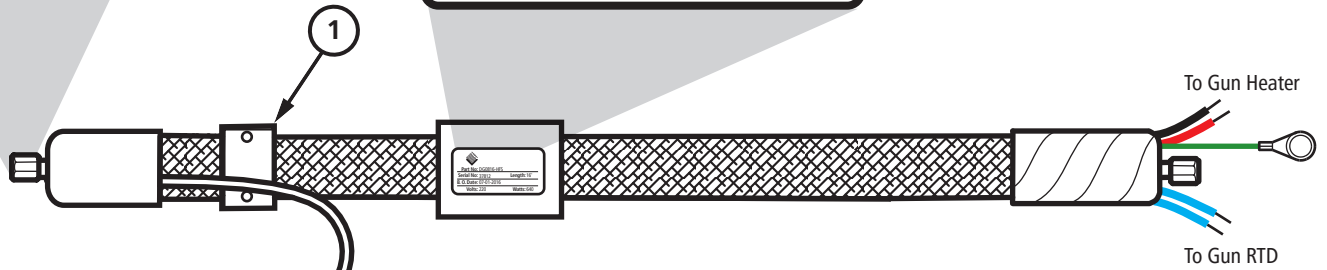
Hot Melt Technologies, Inc.

Part No: XP0816-2000

Serial No: 37812 Length: 16'

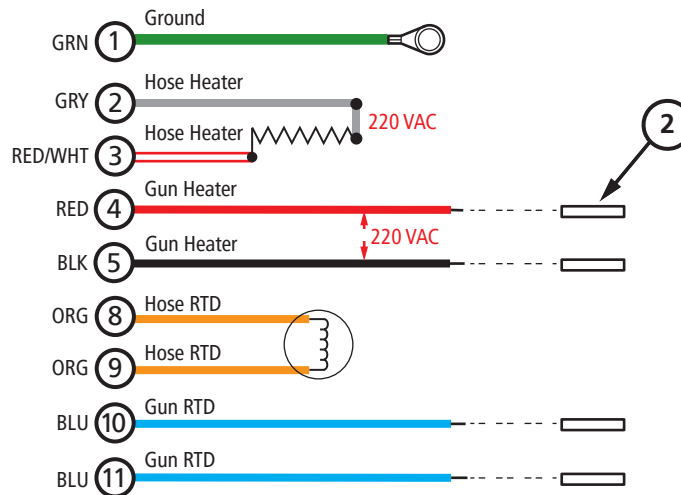
B. O. Date: 07-01-2016

Volts: 220 Watts: 640



Machine End

Gun End



BILL OF MATERIALS			
ITEM	DESCRIPTION	PART NO	QTY
1	Hose Mounting Block	540-027	1
2	Parallel Splice, High Temp	221-080	4

