



# Pump Assembly PA-30

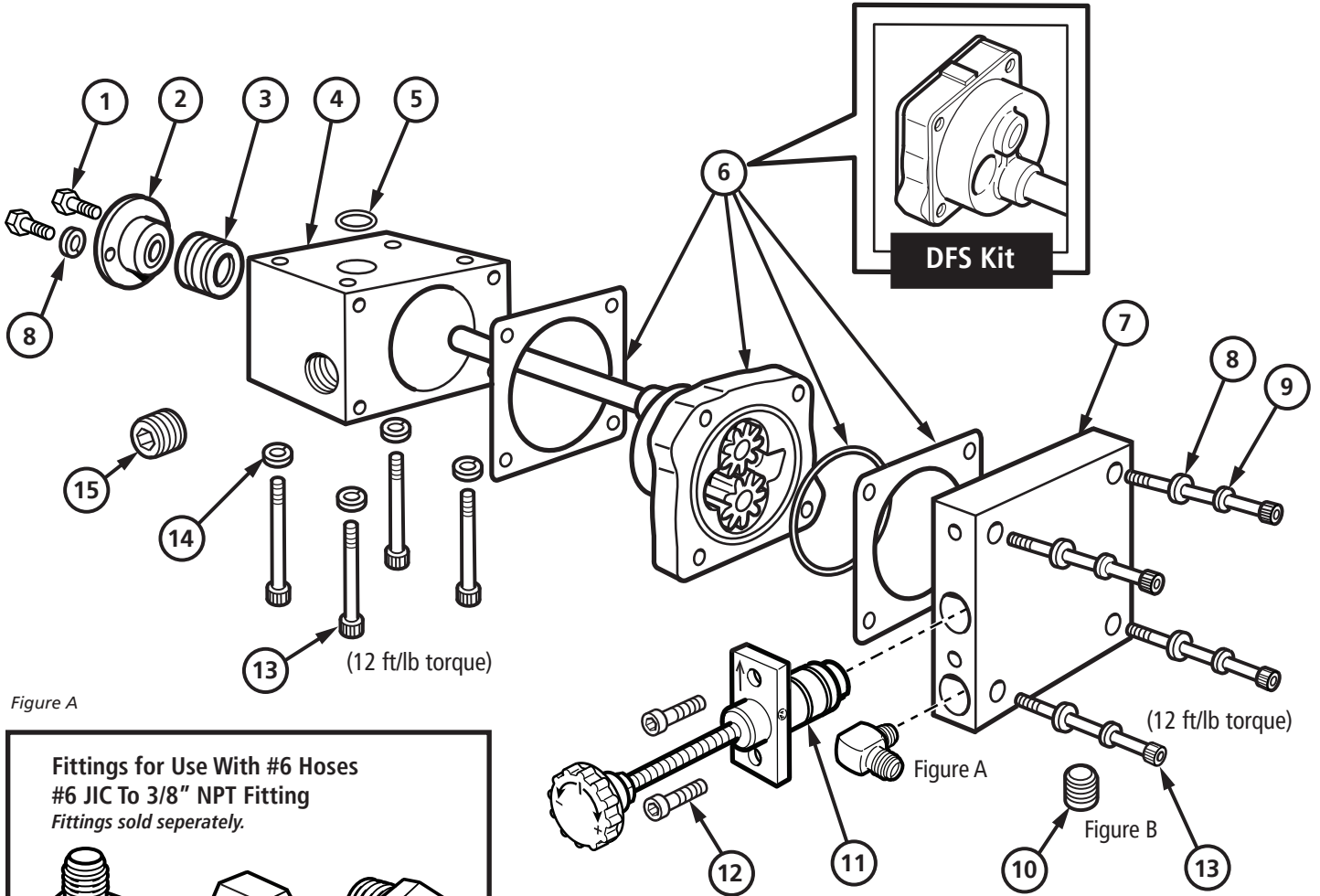


Figure A

**Fittings for Use With #6 Hoses**  
**#6 JIC To 3/8" NPT Fitting**  
*Fittings sold separately.*

160-029 90° Elbow    160-216 Cap    160-086 Straight

**Fittings for Use With #8 Hoses**  
**#8 JIC To 3/8" NPT Fitting**

160-032 90° Elbow    160-218 Cap    160-087 Straight

Figure B

**Filter Option**

942-055  
 DFS Pump  
 Filter Assembly  
 20 Mesh

BILL OF MATERIALS			
ITEM	DESCRIPTION	PART NO	QTY
1	1/4-20 X 1-1/4" Hex Head Bolt	328-005	2
2	Packing Retainer	420-002	1
3	Chevron Seal	510-020	1
4	Pump Block	420-001	1
5	O-Ring, Teflon Encapsulated	520-010	1
6	DFS Pump Kit, PA-30	942-030	1
7	Flow Control Block	400-020	1
8	1/4" Flat Washer	315-007	4
9	1/4" Lock Washer	316-007	6
10	3/8" NPT Pipe Plug	160-191	2
11	DFS Accu-Flow™ Control	940-015	1
12	1/4-20 X 1/2" Socket Head Cap Screw	322-101	2
13	1/4-20 X 2 1/2" Socket Head Cap Screw	322-110	8
14	1/4" High Collar Lock Washer	316-063	4
15	1/2" NPT Drain Plug	160-193	1

