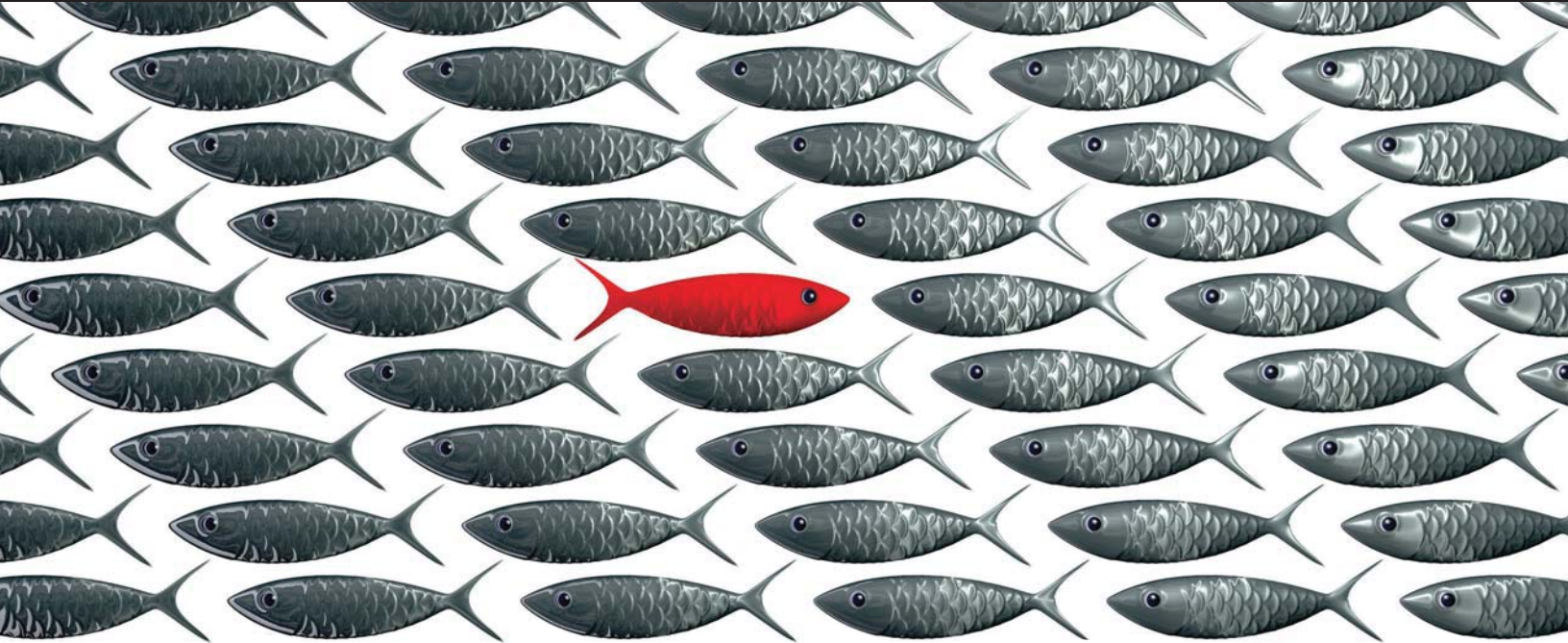


AutoPack[®]

HOT MELT SYSTEMS



There's another school of thought in hot melt systems for **packaging and converting** ...



Hooked on Nordson[®]?

**If you want to buy a Nordson[®] ...
buy a Nordson, or one of its many copycats.**

Nordson has been the biggest supplier of hot melt equipment to the P&C industry for over 50 years. Their dominance has spawned a school of will-fitters and copycats. The result? Nothing changes. You experience the same issues, same concerns – no matter what price you pay.

**But, if you want to buy something different ...
buy an HMT[®] AutoPack[®].**

Hot Melt Technologies[®] builds high-performance glue systems that bring real advantages to many users. Read on and see if you agree.



Hot Melt Technologies, Inc.
No One Puts It Together Like HMT.



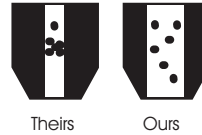
When you're the exception, you'd better be exceptionally good. And we are.

With over 30 years of building industrial hot melt systems, Hot Melt Technologies® (HMT®) knows the importance of greater simplicity and reduced downtime, and we're bringing these benefits to you. We invite you to make the comparison.

Their high-pressure systems vs. our reduced-pressure systems ...

Lower pressure means larger fluid passages with increased cross sections in nozzles, guns, hoses and pumps.

- Lower pressure means reduced nozzle clogging



- Lower pressure means longer gun seal life



- Lower pressure means hoses with a 2-year warranty

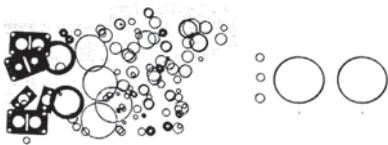


- Lower pump pressure means safer operation with less maintenance and less downtime



Their piston pumps vs. our positive displacement gear pumps ...

HMT's AutoPack® steel spur gear pumps have 90% less parts, no compressed air, and no moving seals. You get pulse-free output as well as greater reliability and longer operational life.



Theirs

Ours

Their air-operated drive motors vs. our electric drive motors ...

HMT's AutoPack Systems feature constant or variable-speed electric motors to drive our gear pumps. No air is needed. Motors are factory lubricated and sealed, so no maintenance is required.



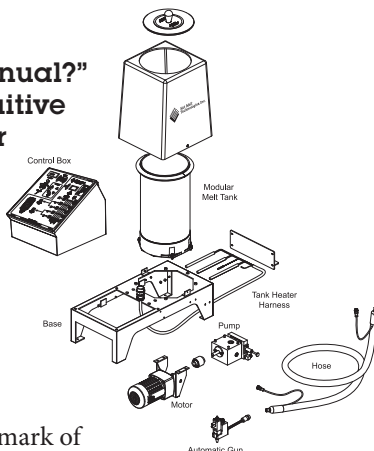
Their "melt-on-demand" tanks vs. our easily replaceable "melt-on-demand" tanks ...

Don't be fooled! All melt-on-demand tanks **reduce** char and degradation; they do not **eliminate** it. Over time, all melt tanks need to be cleaned and serviced. With our patented interchangeable melt tanks, HMT makes it easy and very **affordable!**



Their "Where's the manual?" complexity vs. our intuitive system design and our easy serviceability ...

HMT's AutoPack Systems are easy to understand, easy to use and easy on your maintenance budget.



**Think different.
Go with HMT.**

For more information on HMT's AutoPack Systems for P&C applications or for a hands-on demonstration, contact us today at 248.853.2011

hotmelt-tech.com

*Nordson® is a registered trademark of the Nordson® Corporation