

## Standard RTD Controlled, #10 Core Heated Hoses

# XP10XX - X

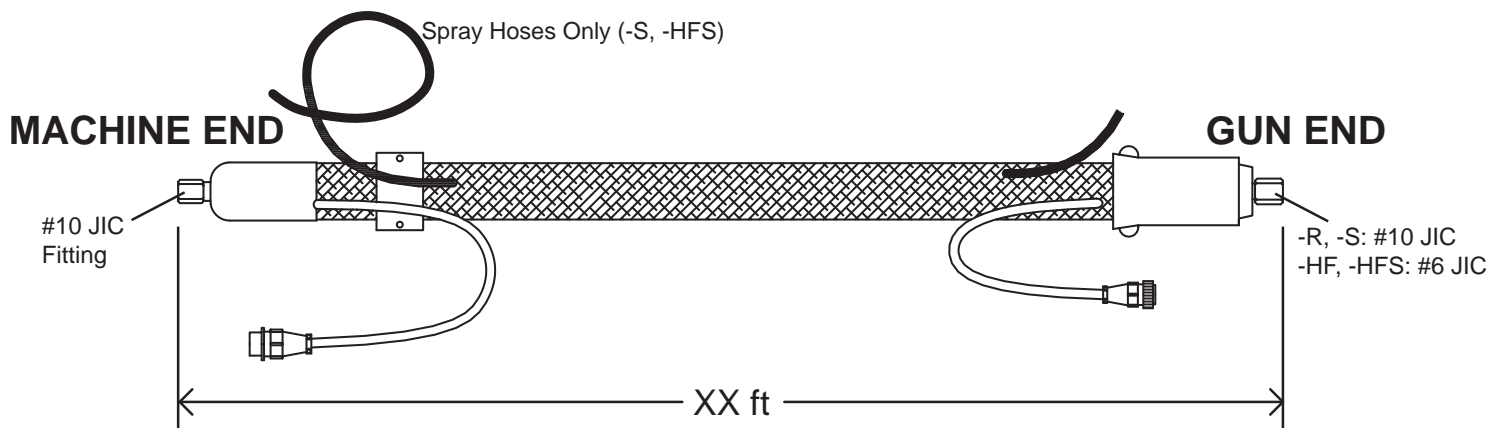
**Hose Voltage** \_\_\_\_\_  
 XP: 220 VAC Heated Hose

**Hose Core** \_\_\_\_\_  
 10: #10 Core Hose (5/8 Nominal Inside Diameter)

**Hose Length** \_\_\_\_\_  
 08 - 24: 8 to 24 ft

**Heated Hose Type** \_\_\_\_\_

- R: Regular Hose (#10 JIC Fitting Machine & Gun End)
- S: Spray Hose (#10 JIC Fitting Machine & Gun End)
- HF: High Flow Hose (#6 JIC Fitting on Gun End)
- HFS: High Flow Spray Hose (#6 JIC Fitting on Gun End)



<b>XP10 Hoses, 220 VAC @ 50 Watts/ft (Nominal)</b>					
<b>Hose Length [ft]</b>	08	12	16	20	24

\*Total System Amperage Must Be Considered When Selecting Hose Length\*