

PROFLEX G5/G9 DUAL GRID, 135 - 200 LB.

High Performance System

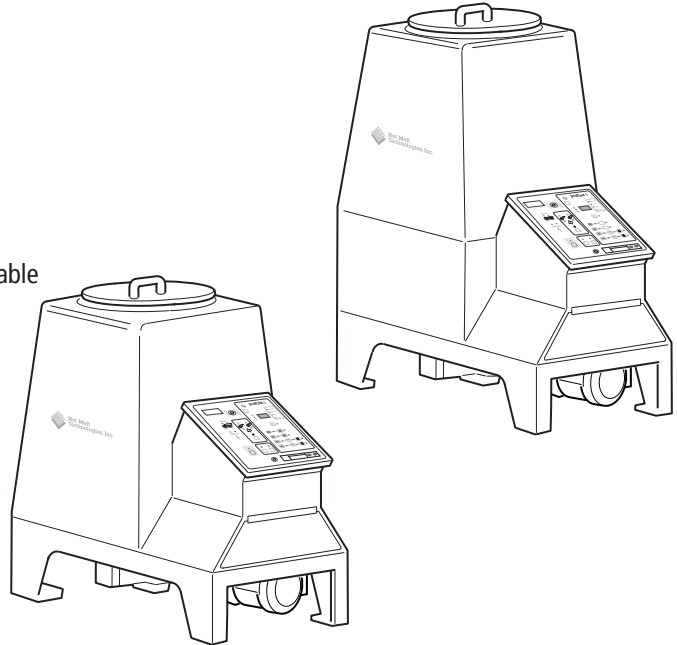
220v, 1ph

Standard Features

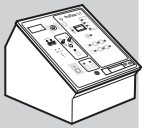
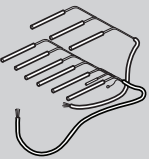
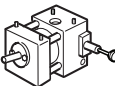
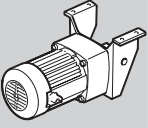
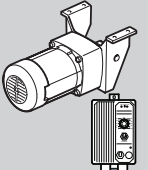
- ▶ Auto-Standby
- ▶ Auto-Off Timer
- ▶ Ready Delay Timer
- ▶ Manual Standby
- ▶ Set Point Limit
- ▶ Front Panel Diagnostics
- ▶ All Zone Ready
- ▶ Temp Readout, °F or °C
- ▶ ±1°F Temp Control
- ▶ Hose/Gun On/Off Control
- ▶ 2 or 4 Hose/Gun Capability
- ▶ Audible Fault Alarm
- ▶ Service Clock
- ▶ Pump On/Off Control
- ▶ Precision Flow Control

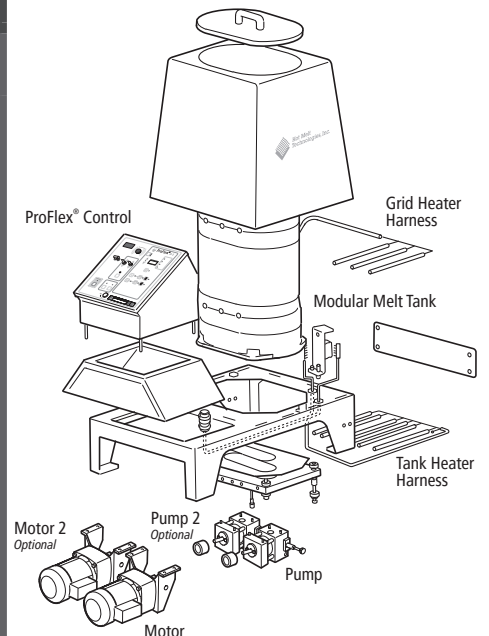
Common Options

- ▶ #340-032 Key Lock
- ▶ #934-247 24h/7d Timer
- ▶ #921-014 Steel Cart Assembly
- ▶ #921-017 Base Cart
- ▶ #XP-922-221 OEM Interface Cable
- ▶ #XP-922-040 Remote Motor Run Cable
- ▶ #910-055 Pump Pressure Gauge
- ▶ ProFill Load Alert



System Configuration

GX - XXX - W - 40 - X - X - X						
CONTROL PACKAGE	TANK SIZE	TANK HEATER HARNESS	PUMP	MOTOR		
 G5 - 2 hose/2 gun G9 - 4 hose/4 gun	135 lb		 PA-40	 CONSTANT SPEED M - 85 RPM, 1/6 HP F - 113 RPM, 1/3 HP K - 170 RPM, 1/3 HP	SINGLE "Blank"	220v, 1ph "Blank"
	200 lb				Dual "2"	240v, 3ph "3P"
				 VARIABLE SPEED A - AC 0-125 RPM G - DC 0-125 RPM		



Effective Date: 8/12/19

All prices are subject to change without notice

©2019 Hot Melt Technologies, Inc

