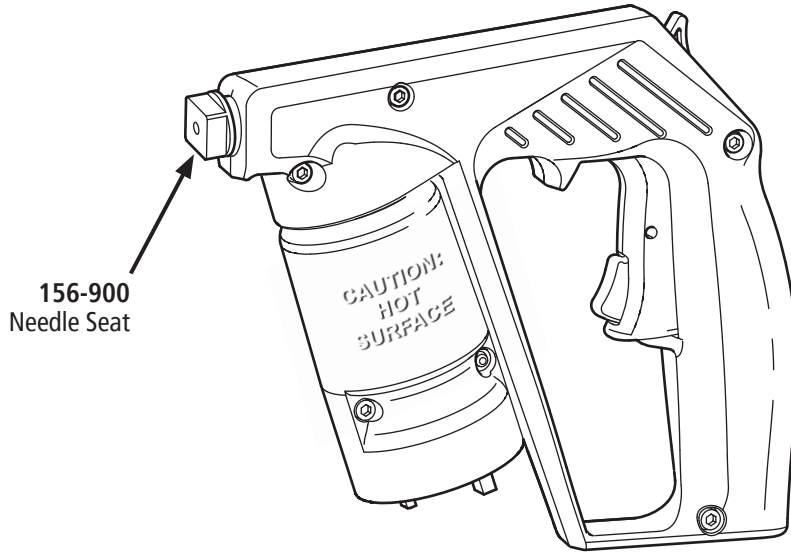
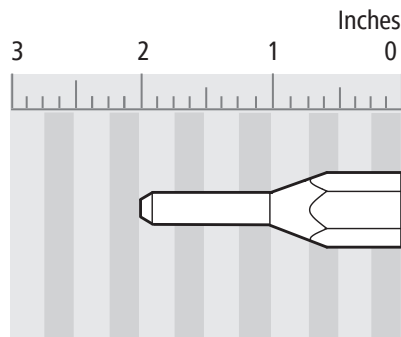




2000 Series Extrusion Nozzles



Extended Bead Nozzle



YOUR SYSTEM CONFIGURATION

ORIFICE	PART NO
.050"	156-925
.090"	156-928

