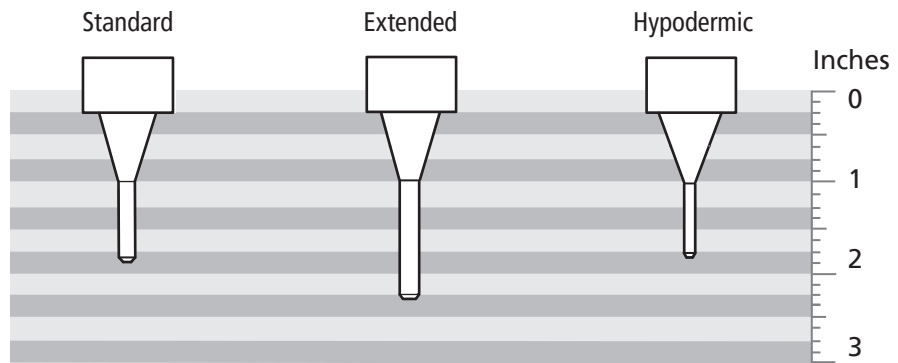
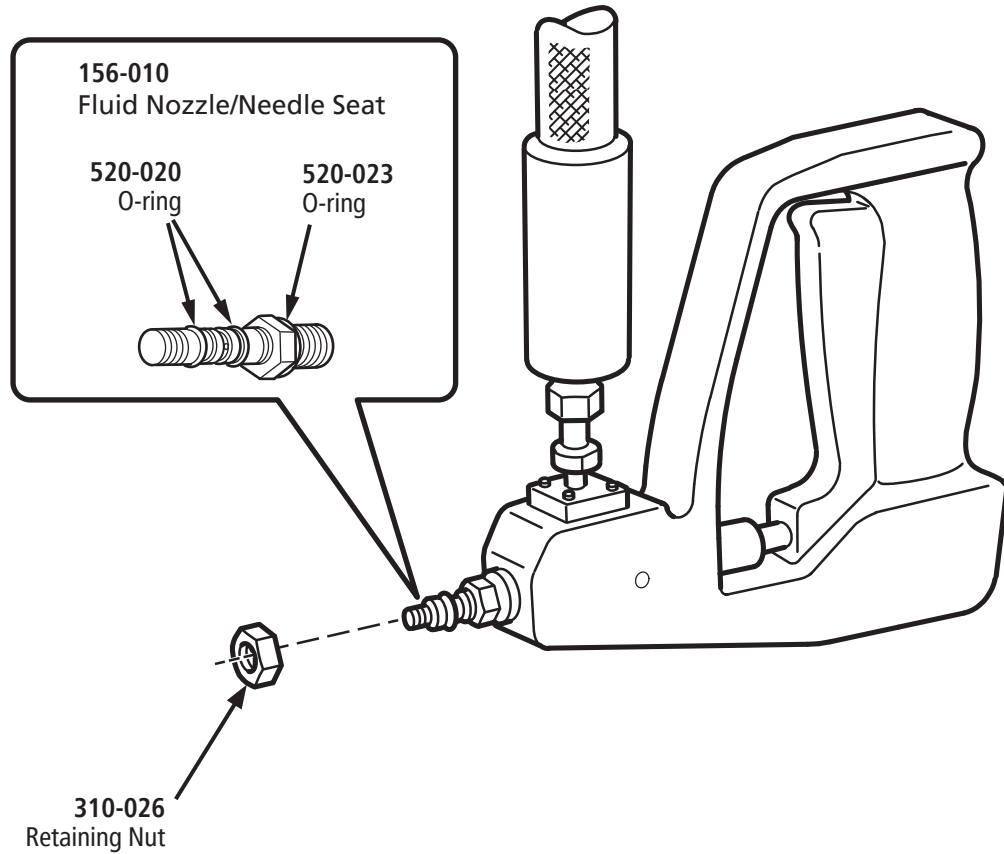




# 500 Series Extrusion Nozzles



### YOUR SYSTEM CONFIGURATION

ORIFICE	PART NO	ORIFICE	PART NO	ORIFICE	PART NO
.050"	156-024	.050"	156-025	.050"	156-028
.090"	156-026	.090"	156-027		

