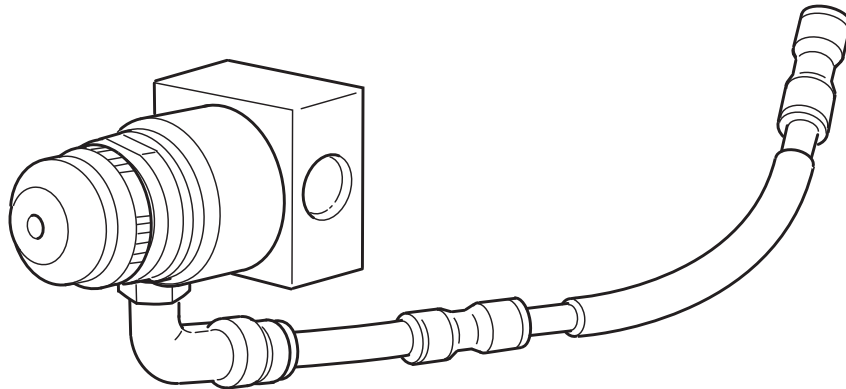




500 Series LV Spray Nozzles



YOUR SYSTEM CONFIGURATION

External Fluid Nozzle Orifice	Nozzle Assembly Part Number
.040"	915-144
.060"	915-149
.090"	915-141

NOTE

The Spray Adjustment Collar is used to achieve different spray patterns.

Turn clockwise and counter-clockwise to adjust. The factory setting is two turns from fully closed.

