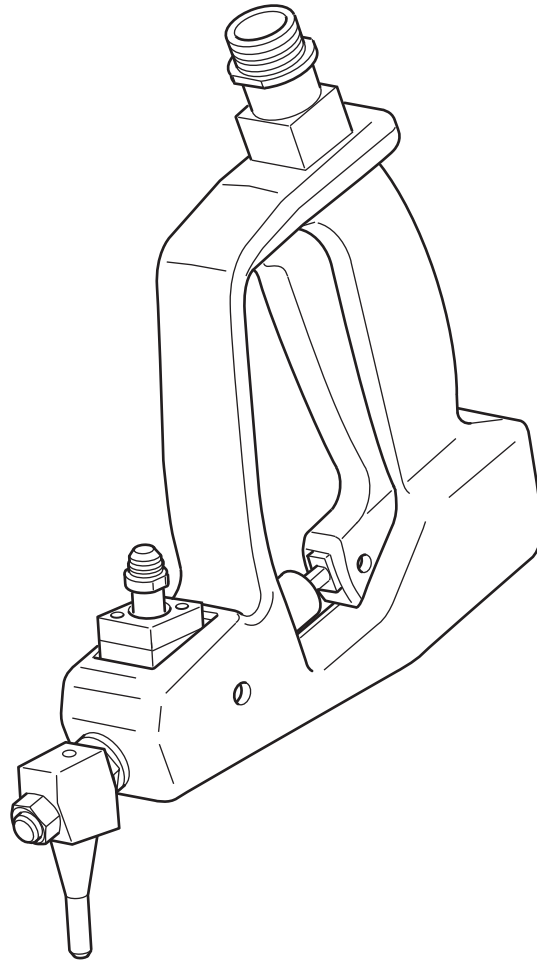


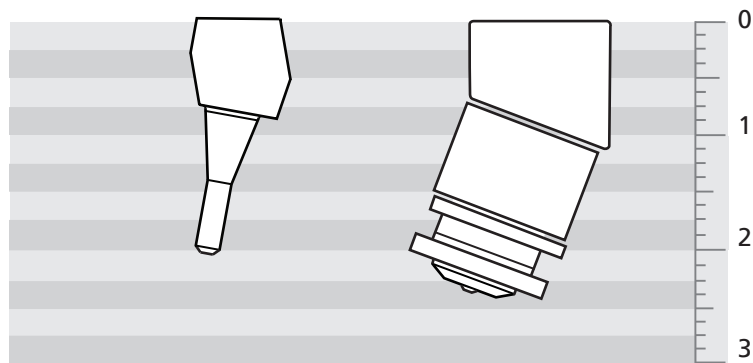


501 Series Nozzles



Bead Nozzle

Spray Nozzle



YOUR SYSTEM CONFIGURATION

ORIFICE	PART NO	ORIFICE	PART NO
.050"	156-118-050	.060"	915-146
.090"	156-118-090	.090"	915-147

