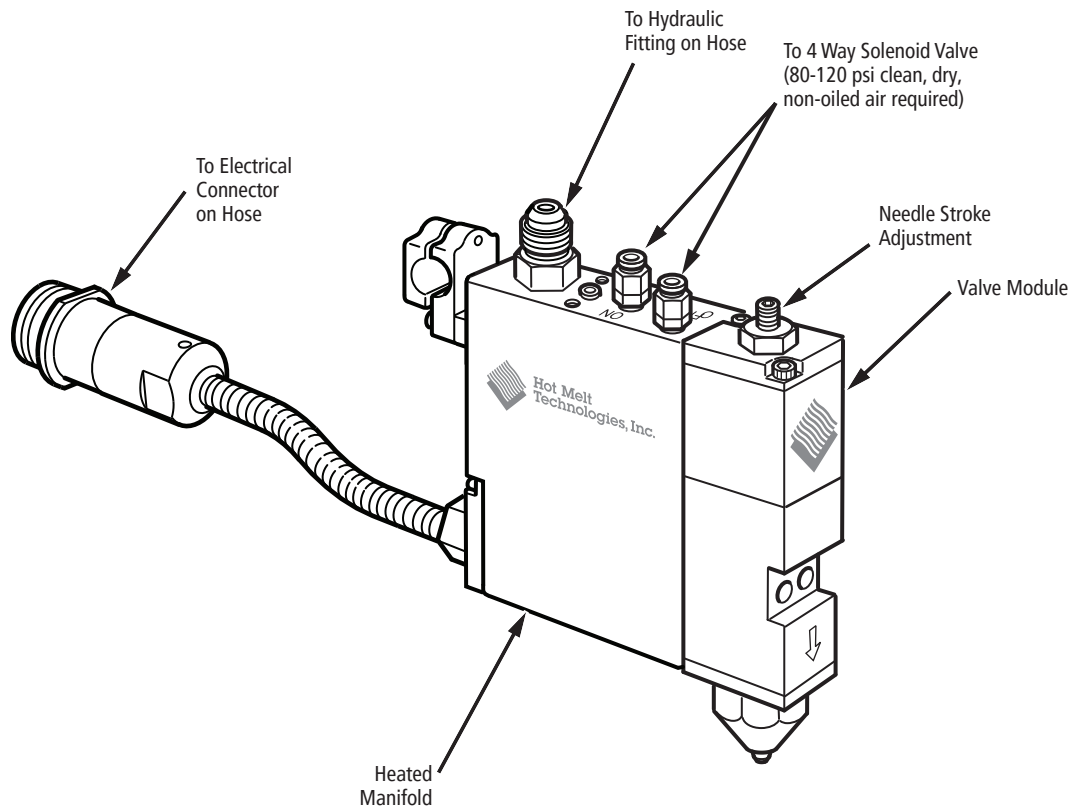


**900-Mini Series Automatic Gun**

<b>ASSEMBLY NUMBERS</b>	
<b>PART NO</b>	<b>DESCRIPTION</b>
AV-900-M-R	120 VAC Single Valve
AV-900-M-HP	120 VAC Single Valve
XP-900-M-R	220 VAC Single Valve
XP-900-M-HP	220 VAC Single Valve

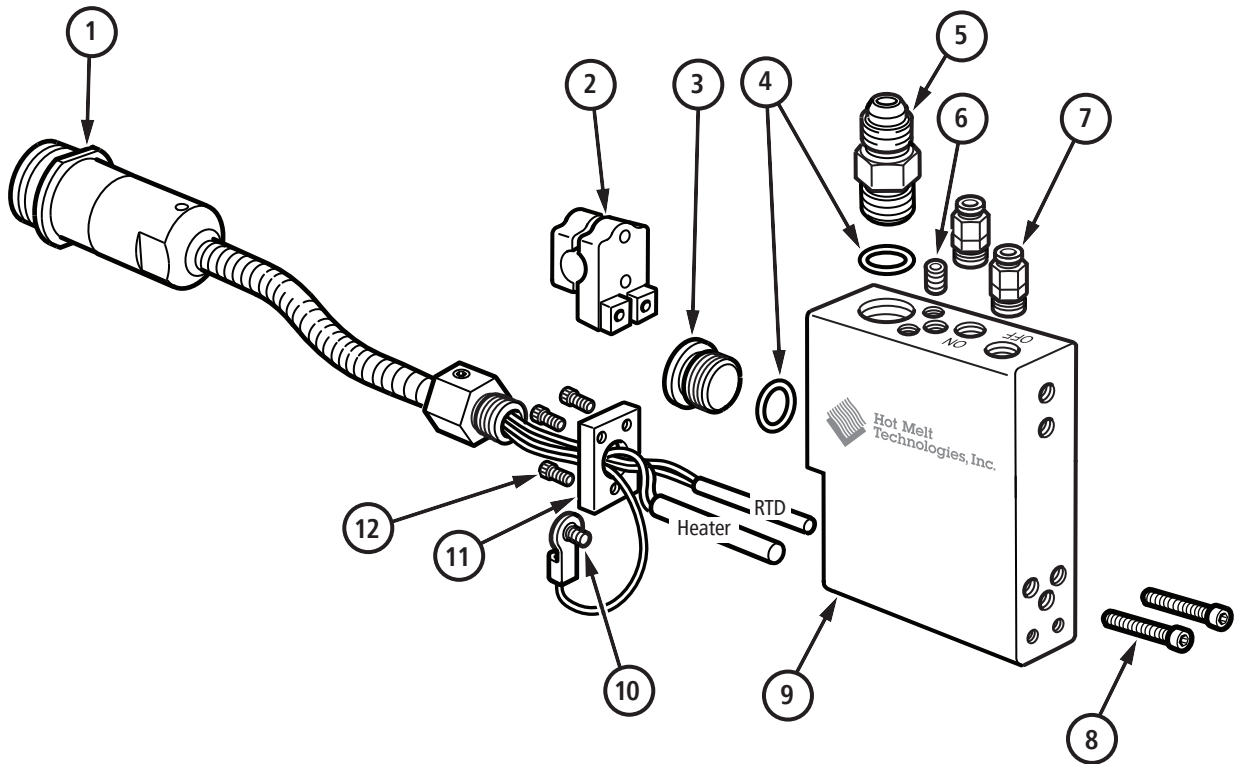




### VM Mini-Manifold

VM-900-RM-1, 120 VAC

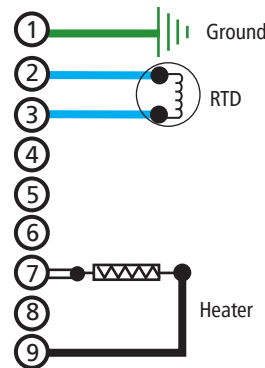
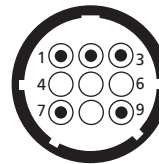
VM-900-RM-2, **220 VAC**



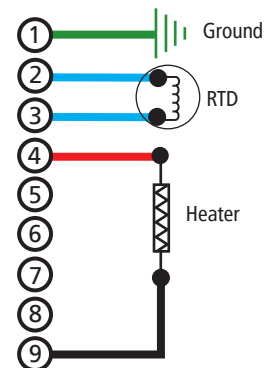
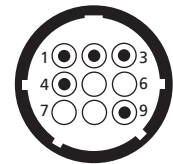
#### BILL OF MATERIALS

ITEM	DESCRIPTION	PART NO	QTY
1a	DFS AV-1000 Heater Harness 120 VAC, 150W	922-090	1
1b	DFS XP-1000 Heater Harness <b>220 VAC</b> , 150W	922-290	1
2	AV 1/2" Rod Mounting Clamp Kit	913-005	1
3	Pipe Plug 9/16" -18	160-047	1
4	O-ring	520-046	2
5	#6 Straight Fitting	160-046	1
6	Pipe Plug, Flush 1/16 NPT	160-196	1
7	1/4" Tube to 1/8" NPT Fitting (HT)	160-551	2
8	8-32 x 1" Socket Head Cap Screw	322-035	2
9	AV-900 Mini Manifold	190-118	1
10	6-32 x 1/4" Socket Head Cap Screw	322-002	1
11	AV-900 Mini-Manifold Elec Cap	190-119	1
12	6-32 x 1/4" Socket Head Cap Screw	322-004	3

120 VAC



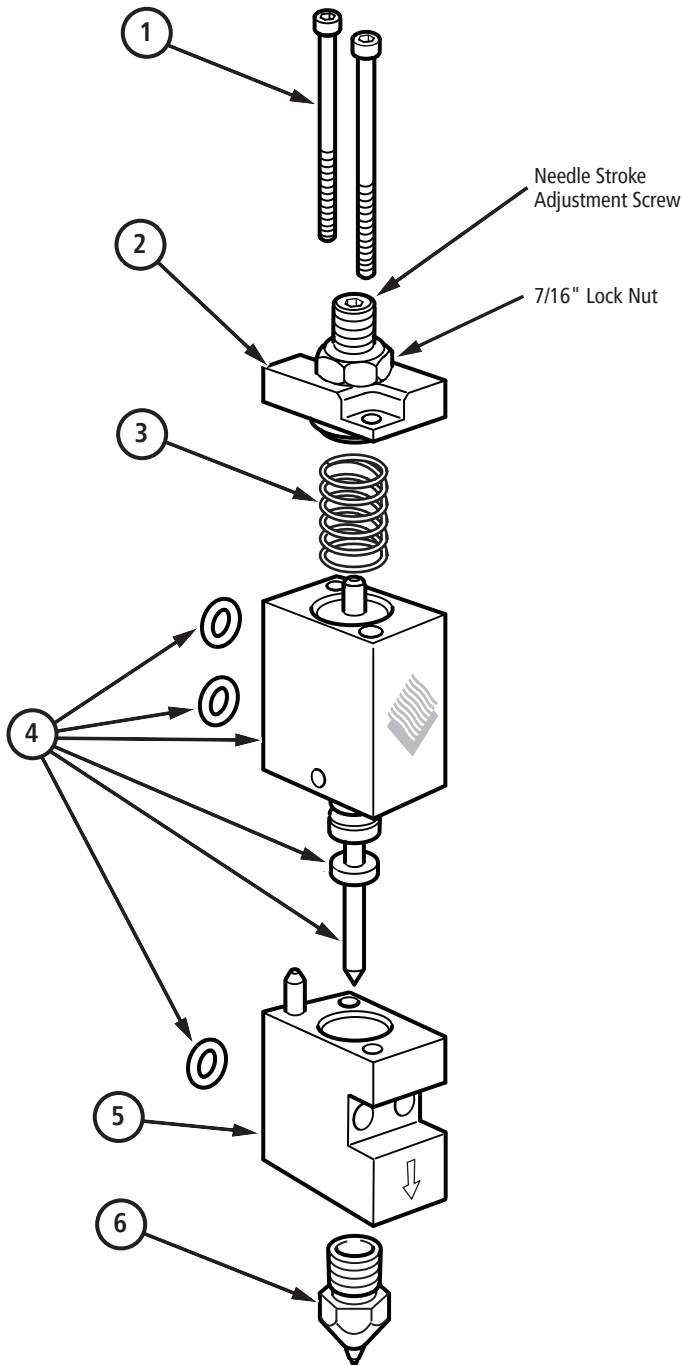
**220 VAC**





## 900-HP Series Valve Module Assembly

913-920



### Service Information

#### Needle Stroke Adjustment Screw:

Adjusts how far the needle lifts off the needle seat/ nozzle when activated.

#### How to Adjust:

1. Loosen the 7/16" lock nut.
2. Using a 1/8" allen wrench, turn the adjustment screw clockwise until the needle makes contact with the needle seat/ nozzle.

*Caution: Do not overtighten, only make contact.*

3. Back the adjustment screw out (counter clockwise) until the appropriate flow for your application is reached.

*Note: Shorter stroke = longer seal life.*

4. Tighten the lock nut while holding the adjustment screw in place.
5. Reconnect actuation air supply.

#### Activation Air Pressure:

80 - 120 psi clean, dry, non-oiled air must be used.

*Note: Air Pressure less than 80 psi may cause sluggish cycling and/or leaks.*

### BILL OF MATERIALS

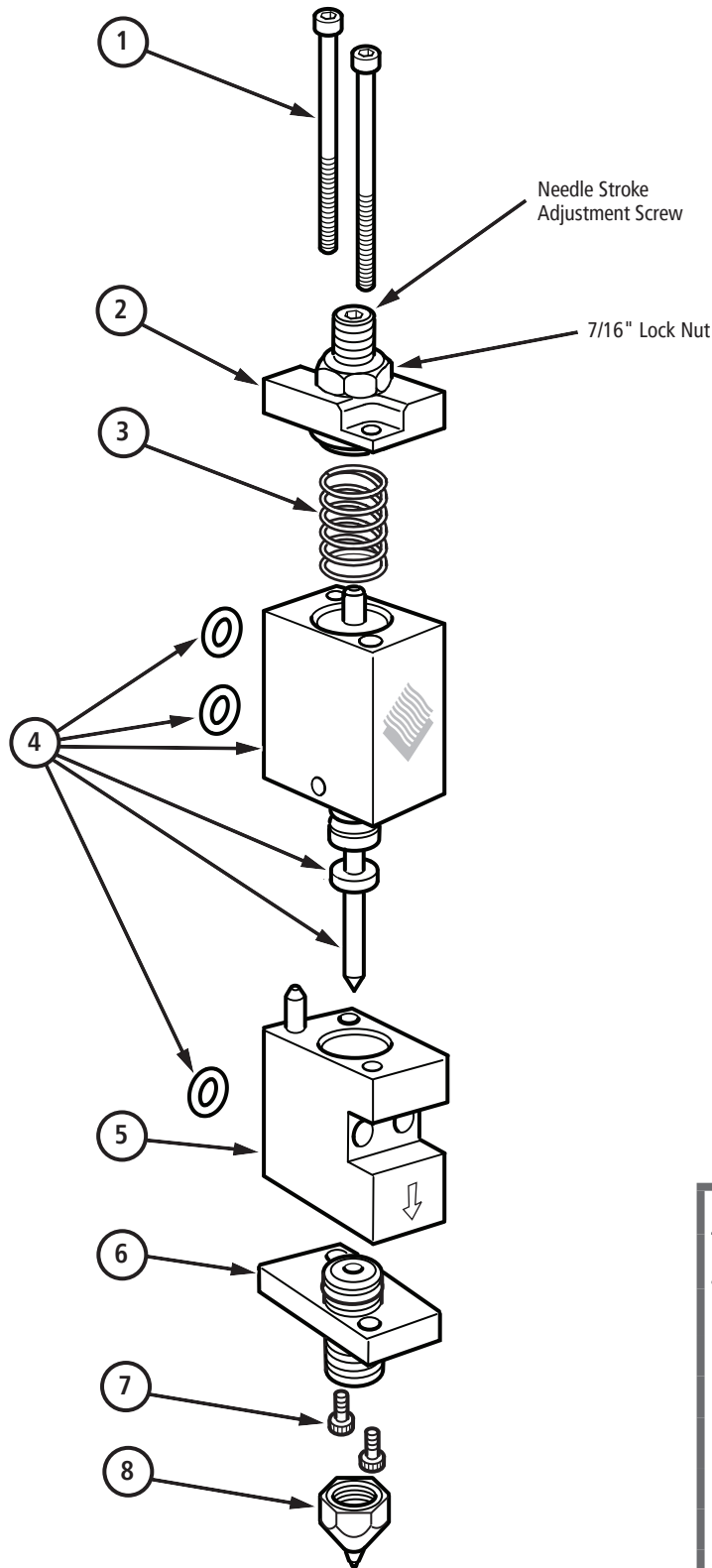
ITEM	DESCRIPTION	PART NO	QTY
1	Socket Head Cap Screw 8-32 X 2 1/2"	322-009	2
2	DFS AV Stroke Adjustment Cap	913-906	1
3	900 Piston Return Spring	190-114	1
4	DFS AV-600 Piston Needle Kit	913-915	1
5	Fluid Valve Body	190-008	1
6	900 Series Nozzle	See Nozzles	1





# 900-R Series Valve Module Assembly

913-900



## Service Information

### Needle Stroke Adjustment Screw:

Adjusts how far the needle lifts off the needle seat/ nozzle when activated.

### How to Adjust:

1. Loosen the 7/16" lock nut.
2. Using a 1/8" allen wrench, turn the adjustment screw clockwise until the needle makes contact with the needle seat/nozzle.

*Caution: Do not overtighten, only make contact.*

3. Back the adjustment screw out (counter clockwise) until the appropriate flow for your application is reached.

*Note: Shorter stroke = longer seal life.*

4. Tighten the lock nut while holding the adjustment screw in place.
5. Reconnect actuation air supply.

### Activation Air Pressure:

80 - 120 psi clean, dry, non-oiled air must be used.

*Note: Air Pressure less than 80 psi may cause sluggish cycling and/or leaks.*

## BILL OF MATERIALS

ITEM	DESCRIPTION	PART NO	QTY
1	Socket Head Cap Screw 8-32 X 2 1/2"	322-009	2
2	DFS AV Stroke Adjustment Cap	913-906	1
3	900 Piston Return Spring	190-114	1
4	DFS AV-900 Piston Needle Kit	913-915	1
5	Fluid Valve Body	190-007	1
6	Needle Seat Threaded	156-801	1
7	Socket Head Cap Screw 6-32 X 2 3/8"	322-003	2
8	900 Series Nozzle	See Nozzles	1

