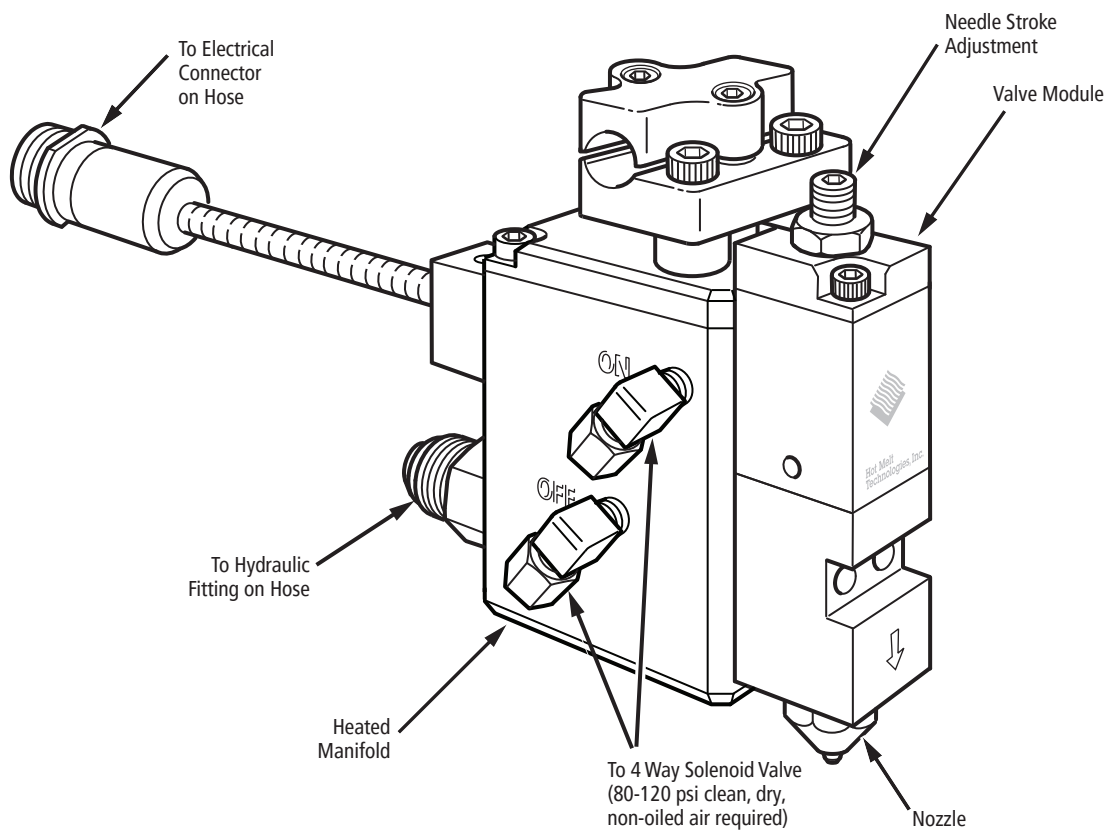




900 Series Automatic Gun

ASSEMBLY NUMBERS	
PART NO	DESCRIPTION
AV-900-R	120 VAC Single Valve
AV-900-HP	120 VAC Single Valve
XP-900-R	220 VAC Single Valve
XP-900-HP	220 VAC Single Valve

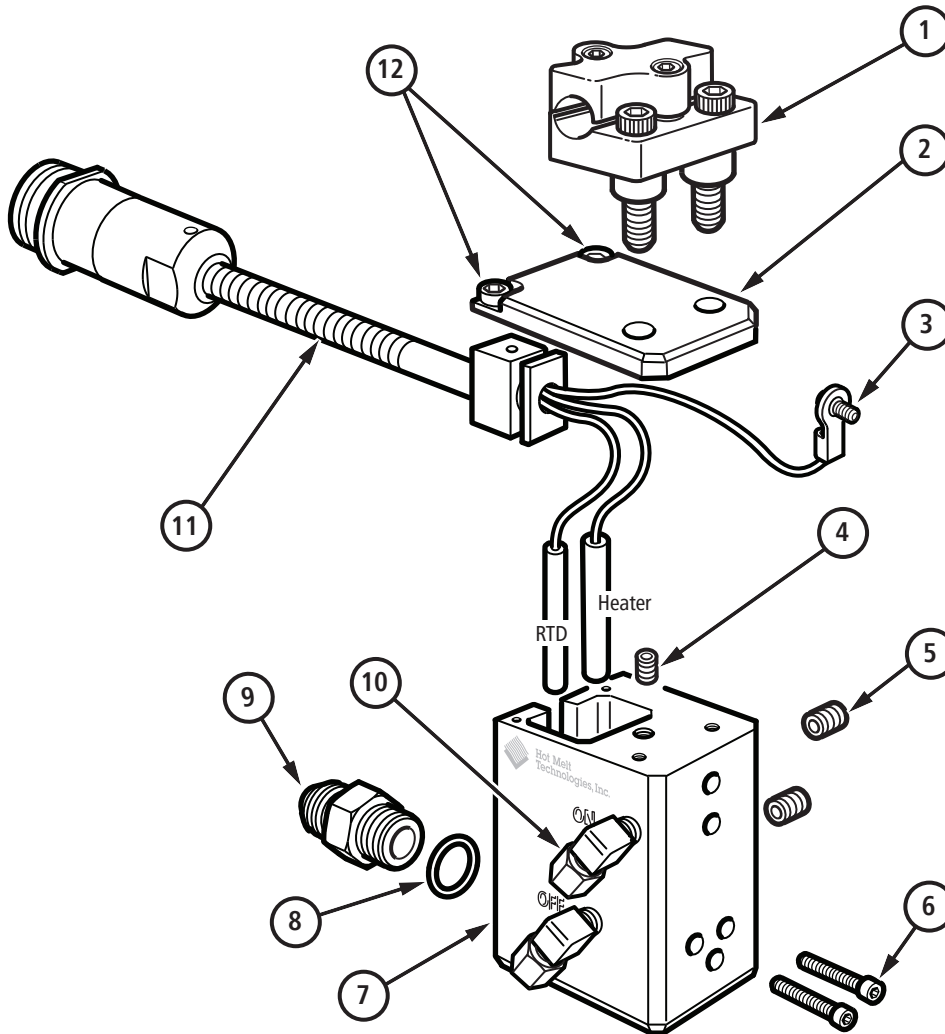




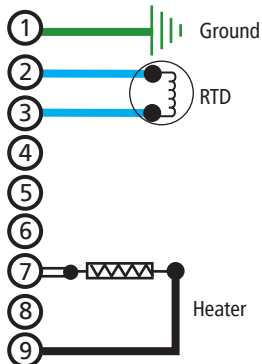
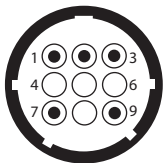
VM-900-R Manifold Single Port

VM-900-R-1, 120 VAC

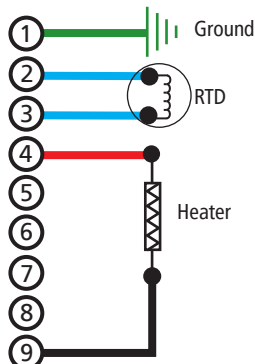
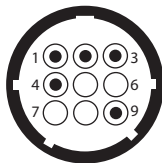
VM-900-R-2, 220 VAC



120 VAC



220 VAC



BILL OF MATERIALS

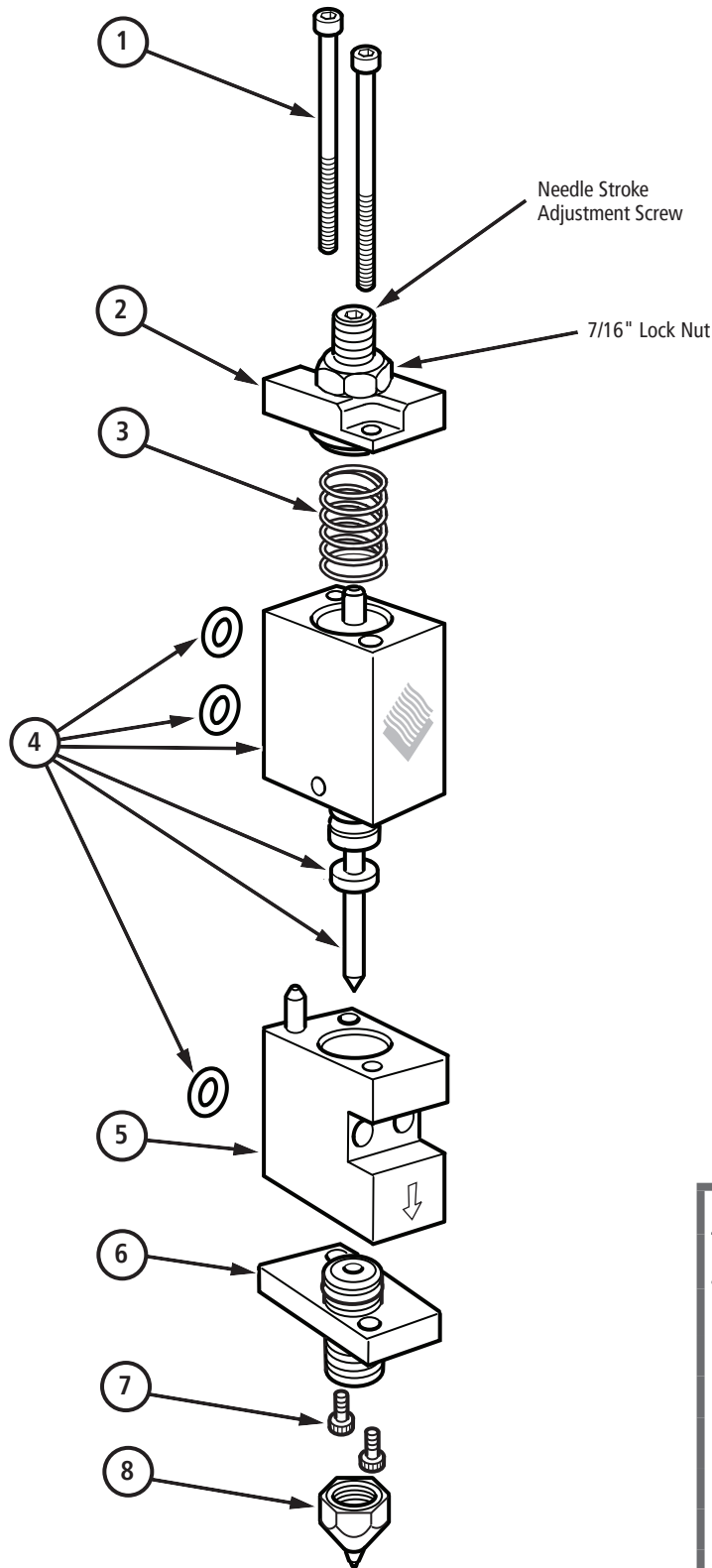
ITEM	DESCRIPTION	PART NO	QTY
1	AV 1/2" Rod Mounting Clamp Kit	913-004	1
2	AV-900 Single Port Manifold Cover Plate	190-111	1
3	Socket Head Cap Screw 6-32 × 1/4"	322-002	1
4	Pipe plug 1/16" NPT, Flush	160-196	1
5	Pipe plug 1/18" NPT, Brass	160-192	2
6	Socket Head Cap Screw 8-32 × 1"	322-035	2
7	AV-900 Single Port Manifold	190-110	1
8	O-Ring, Viton for 9/16" - 18 Fitting	520-046	1
9	Fluid Fitting	See Hose Fitting Page	1
10	Compression Tube Elbow, 90°, 1/4" Tube to 1/8 NPT	160-870	2
11a	DFS AV-900 Heater Harness 120 VAC, 150W	922-208	1
11b	DFS XP-900 Heater Harness 220 VAC, 150W	922-209	1
12	Socket Head Cap Screw 8-32 × 1/4"	322-029	2





900-R Series Valve Module Assembly

913-900



Service Information

Needle Stroke Adjustment Screw:

Adjusts how far the needle lifts off the needle seat/ nozzle when activated.

How to Adjust:

1. Loosen the 7/16" lock nut.
2. Using a 1/8" allen wrench, turn the adjustment screw clockwise until the needle makes contact with the needle seat/nozzle.

Caution: Do not overtighten, only make contact.

3. Back the adjustment screw out (counter clockwise) until the appropriate flow for your application is reached.

Note: Shorter stroke = longer seal life.

4. Tighten the lock nut while holding the adjustment screw in place.
5. Reconnect actuation air supply.

Activation Air Pressure:

80 - 120 psi clean, dry, non-oiled air must be used.

Note: Air Pressure less than 80 psi may cause sluggish cycling and/or leaks.

BILL OF MATERIALS

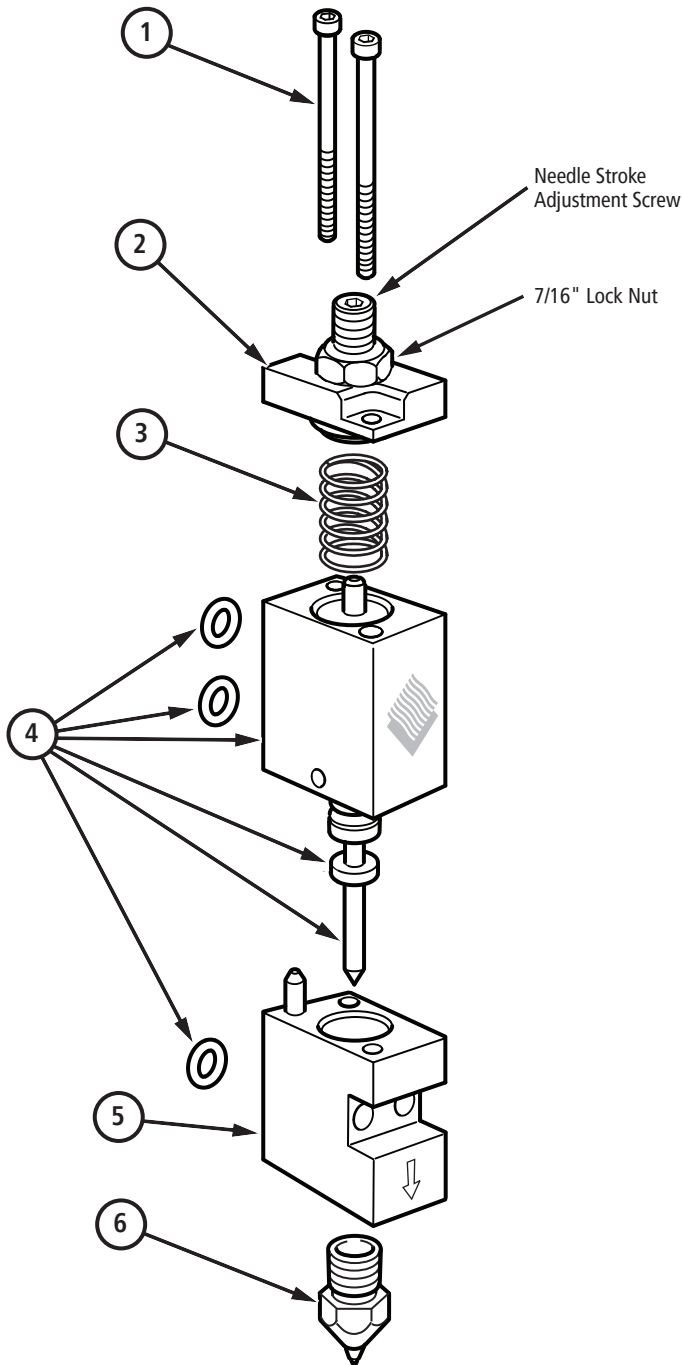
ITEM	DESCRIPTION	PART NO	QTY
1	Socket Head Cap Screw 8-32 X 2 1/2"	322-009	2
2	DFS AV Stroke Adjustment Cap	913-906	1
3	900 Piston Return Spring	190-114	1
4	DFS AV-900 Piston Needle Kit	913-915	1
5	Fluid Valve Body	190-007	1
6	Needle Seat Threaded	156-801	1
7	Socket Head Cap Screw 6-32 X 2 3/8"	322-003	2
8	900 Series Nozzle	See Nozzles	1





900-HP Series Valve Module Assembly

913-920



Service Information

Needle Stroke Adjustment Screw:

Adjusts how far the needle lifts off the needle seat/ nozzle when activated.

How to Adjust:

1. Loosen the 7/16" lock nut.
2. Using a 1/8" allen wrench, turn the adjustment screw clockwise until the needle makes contact with the needle seat/ nozzle.

Caution: Do not overtighten, only make contact.

3. Back the adjustment screw out (counter clockwise) until the appropriate flow for your application is reached.

Note: Shorter stroke = longer seal life.

4. Tighten the lock nut while holding the adjustment screw in place.
5. Reconnect actuation air supply.

Activation Air Pressure:

80 - 120 psi clean, dry, non-oiled air must be used.

Note: Air Pressure less than 80 psi may cause sluggish cycling and/or leaks.

BILL OF MATERIALS

ITEM	DESCRIPTION	PART NO	QTY
1	Socket Head Cap Screw 8-32 X 2 1/2"	322-009	2
2	DFS AV Stroke Adjustment Cap	913-906	1
3	900 Piston Return Spring	190-114	1
4	DFS AV-600 Piston Needle Kit	913-915	1
5	Fluid Valve Body	190-008	1
6	900 Series Nozzle	See Nozzles	1

