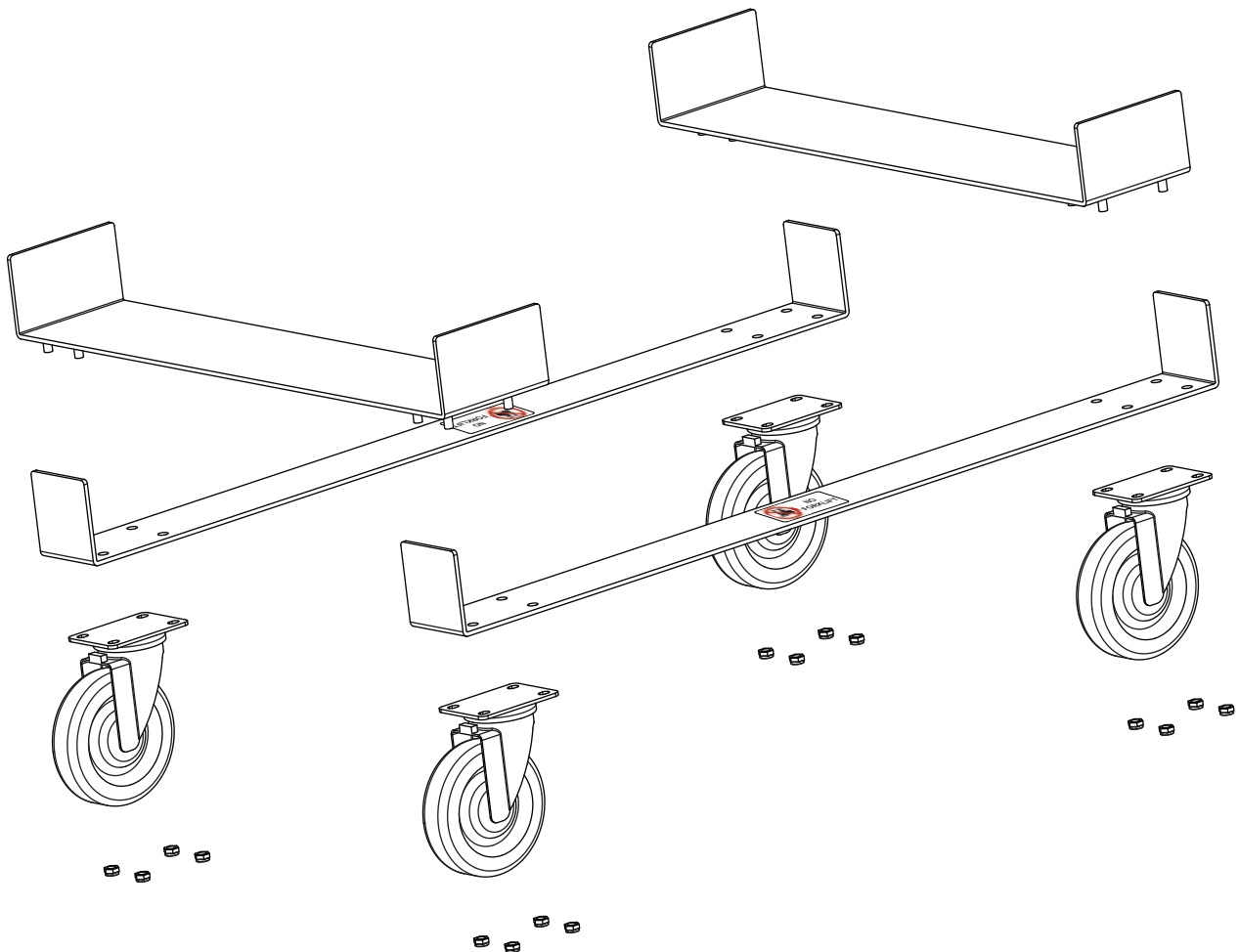
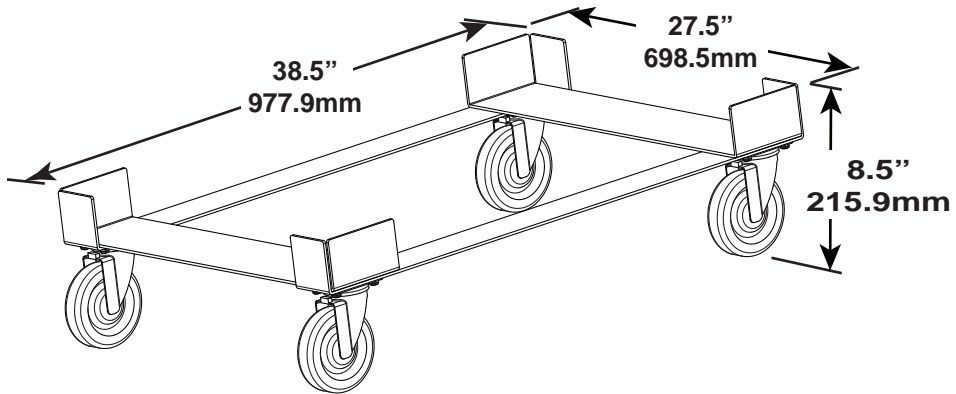


135/200 lb. Cart Assembly  
921-017

Technical Information



Hot Melt Technologies, Inc.