

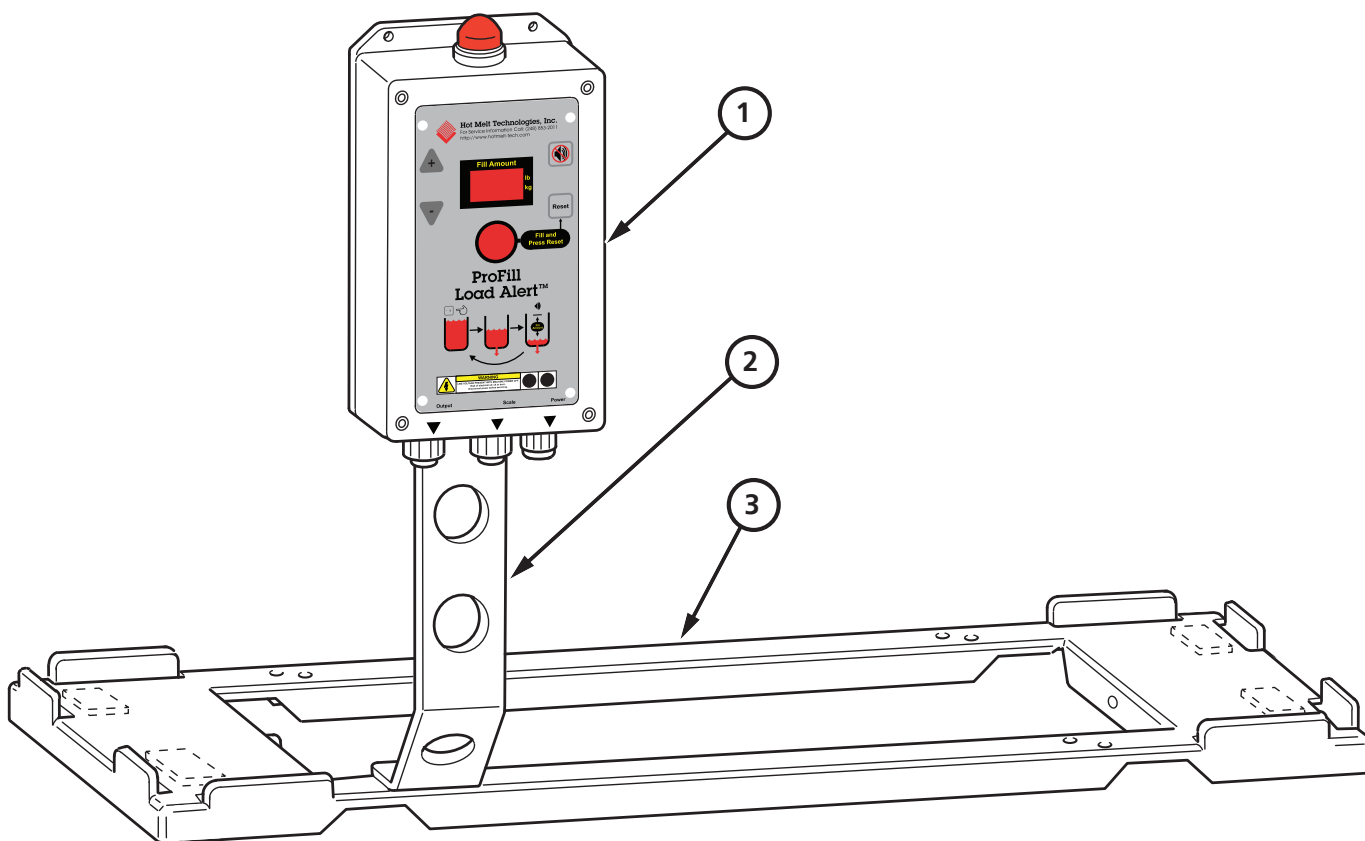


Load Alert

910-100, 25-85 lb
910-135, 135-200 lb

HMT's Pro-Fill Load Alert is a weight sensing device designed to notify the operator when the melt tank needs to be re-filled.

- A full melt tank provides a steady, uninterrupted flow of hot melt.
- A full tank takes full advantage of HMT's Melt-On-Demand design.
- A full tank reduces the potential for adhesive degradation and the formation of char...
- And, most importantly, it eliminates "I forgot to fill the tank" downtime.



BILL OF MATERIALS			
ITEM	DESCRIPTION	PART NO	QTY
1	Control Box Assembly	910-101	1
2	Control Box Stand	330-142	1
3a	Scale Platform Assy, 25-85 lb	910-102	1
3b	Scale Platform Assy, 135-200 lb	910-136	1



Setup

Place the Load Alert on HMT's standard cart or a level surface that can safely accommodate the overall weight.

Make sure that the mounting surface is free of debris.

The Load Alert Scale Platform must have clearance on all four (4) sides. If the sides of the Scale Platform contact the melt unit cart or other objects, the Load Alert may not function correctly.

Place the melt unit on the Load Alert as shown in the diagram.

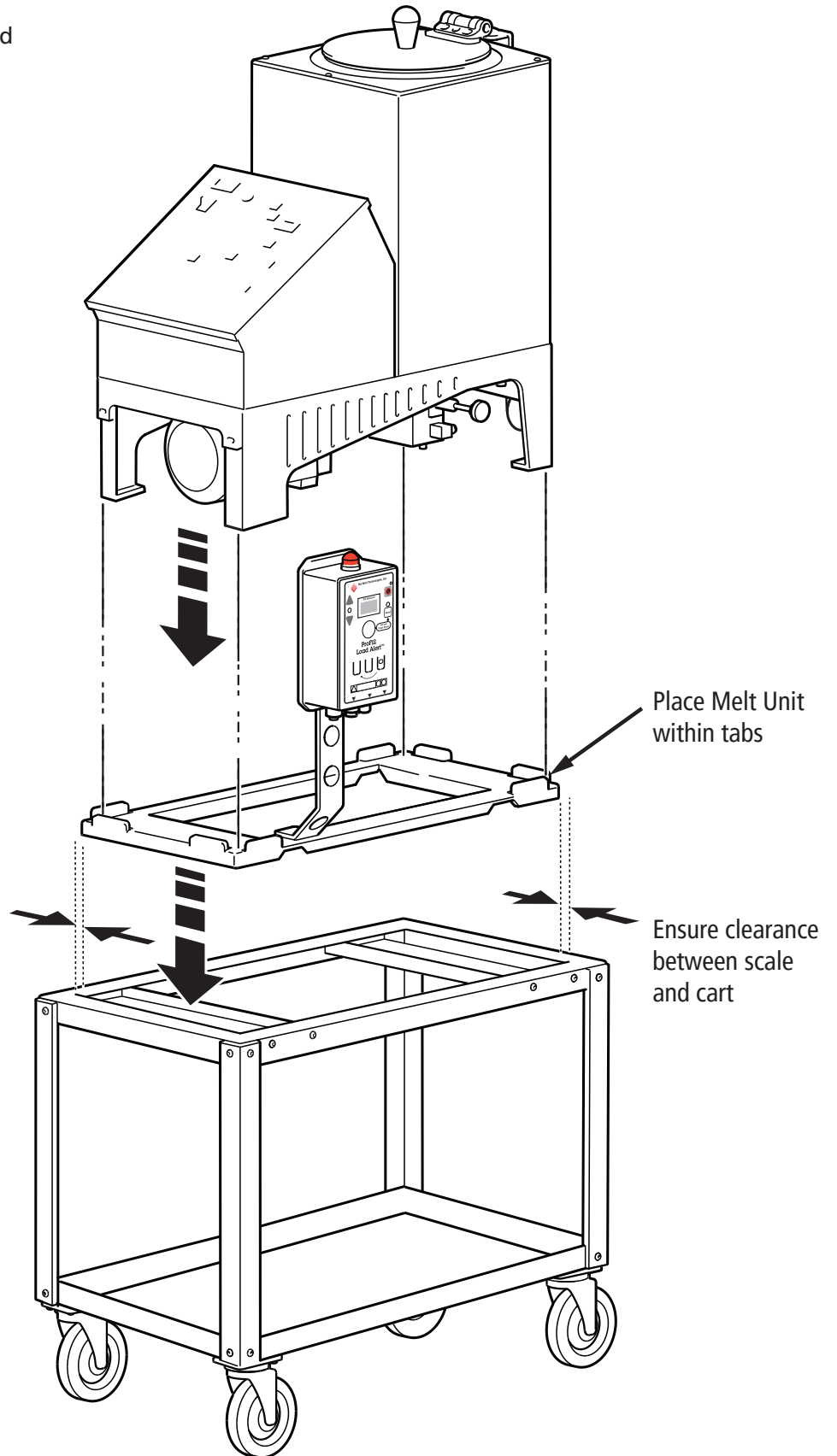
The melt unit must rest within the eight (8) tabs on top of the Load Alert Scale Platform.

Supply power to the Load Alert.
120–240 VAC (.25 A)

Ensure clearance between scale and cart

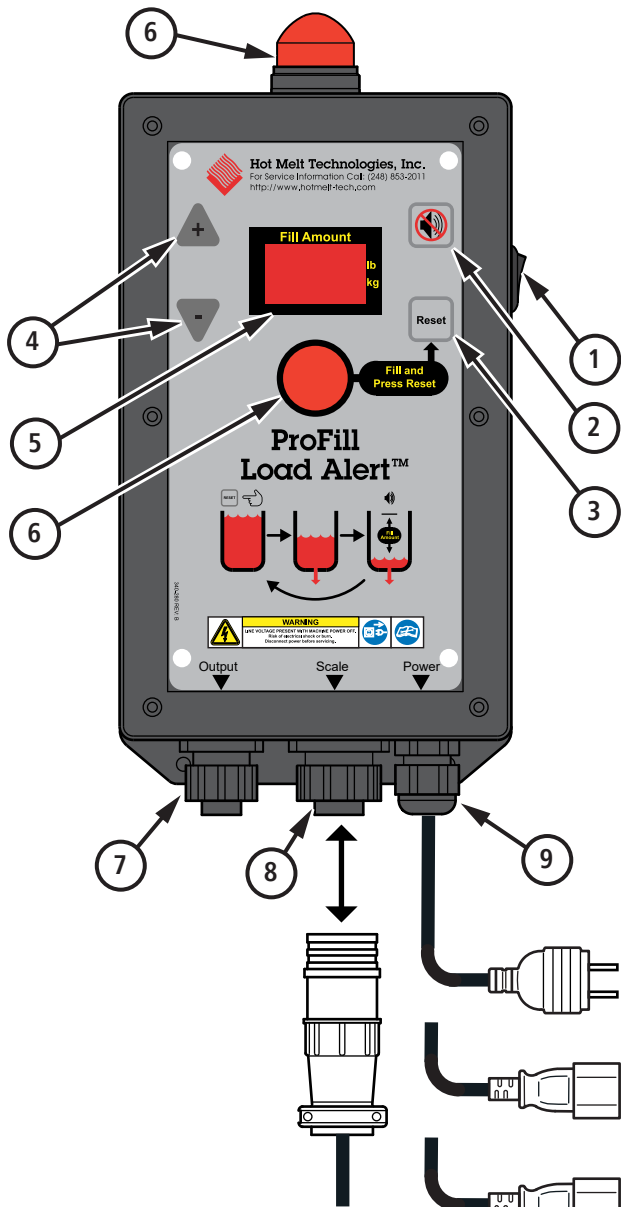
Place Melt Unit within tabs

Ensure clearance between scale and cart





Load Alert



- 1 **Power Switch**
- 2 **Quiet Button**
Silences audible alarm
- 3 **Reset Button**
Resets the Load Alert
- 4 **Up/Down Buttons**
Increase or decrease "Fill Amount"
- 5 **Fill Amount Display**
- 6 **LED indicator**
Flashes and alarms to indicate that the operator should fill the tank
- 7 **Output Connector**
For use with Auto-Fill or other OEM interface
- 8 **Scale Platform Connector**
- 9 **Power Input**



IMPORTANT REMINDER

Remember, Load Alert is a weight sensing system. During use, DO NOT add or remove items from the system that might affect the over-all system weight. For example, handguns should not be mounted to the machine. Lifting and replacing the handgun will affect the Load Alert weight calibration and response accuracy.

120-240 VAC Power
0.25 A
(Standard)

922-218
120 VAC Auxiliary
Power
(Optional)

XP-922-218
220 VAC Auxiliary
Power
(Optional)

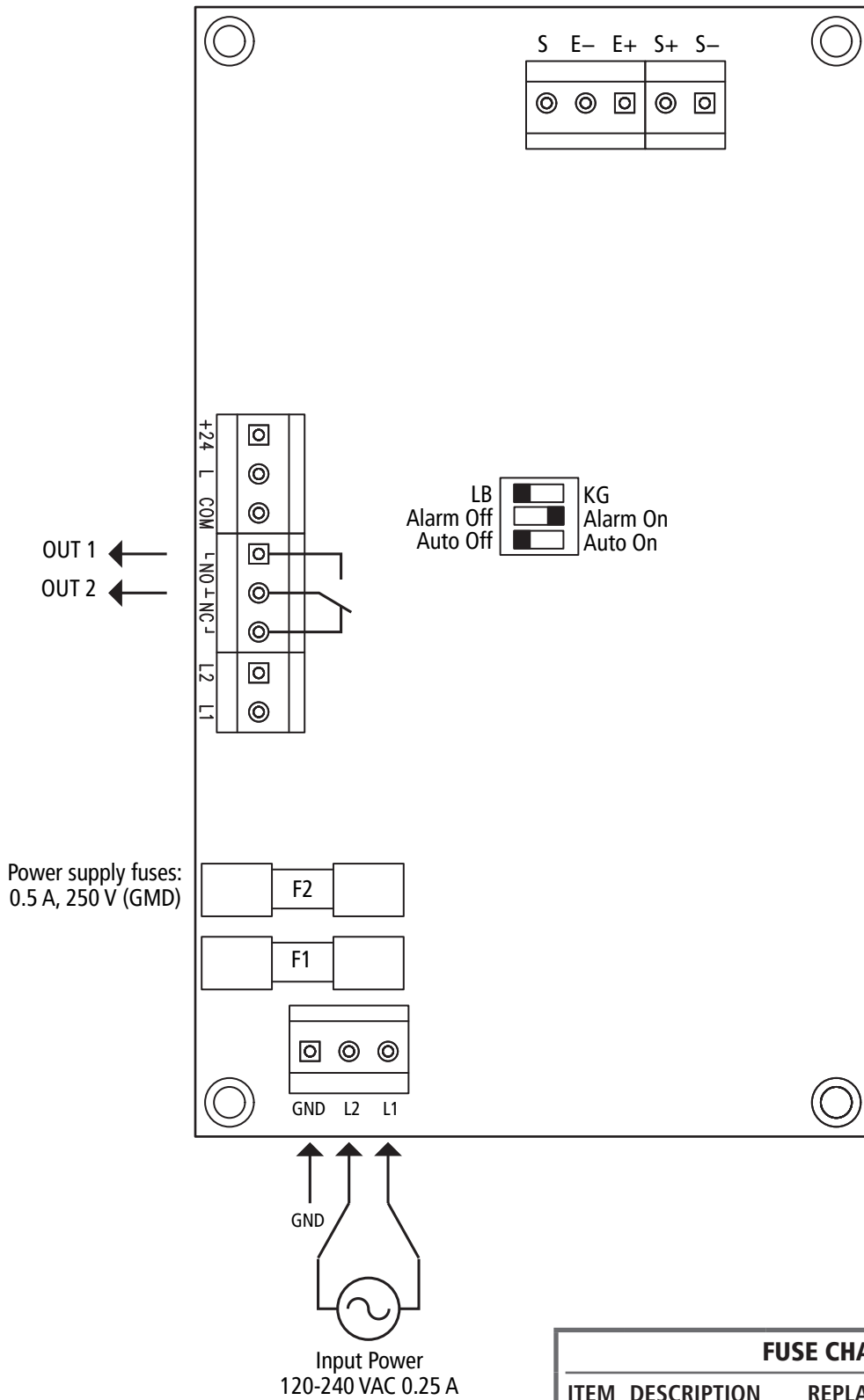
Set-up Instructions:

1. Load the tank with adhesive
2. Choose the "Fill Amount" (see chart)
3. Press "Reset"

Operation

1. Operate system normally
2. Visual and Audible alarms when re-fill is required
3. Re-load tank and press "Reset"
4. Repeat Process

Benchmark & ProFlex Tank Size (lb)	Recommended Setting for Manual Re-Loading (lb)
15	3 lb
25 or 35	5 lb
50 or 85	10 lb
135 or 200	20 lb



FUSE CHART			
ITEM	DESCRIPTION	REPLACE WITH	PART NO
F1/F2	Power Supply	.5 A, 250 VAC (GMD)	214-501