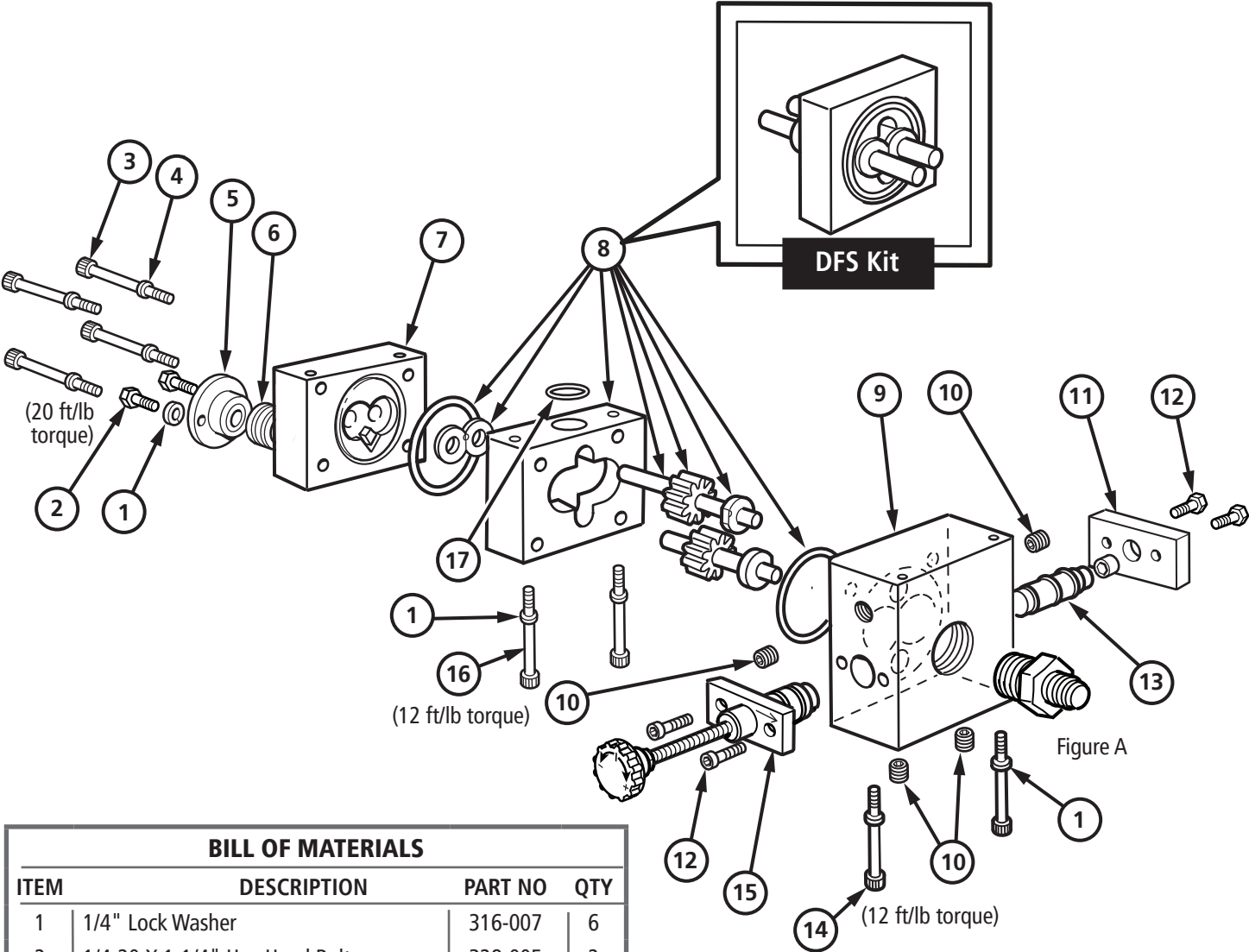




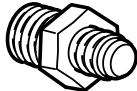
Pump Assembly PA-50



BILL OF MATERIALS			
ITEM	DESCRIPTION	PART NO	QTY
1	1/4" Lock Washer	316-007	6
2	1/4-20 X 1-1/4" Hex Head Bolt	328-005	2
3	5/16-18 X 2-1/2" Socket Hd. Cap Screw	322-167	4
4	5/16" High Collar Lock Washer	316-024	4
5	Packing Retainer	420-002	1
6	Chevron Seal	510-020	1
7	Mastic Pump Bearing Plate	420-090	1
8	DFS Pump Kit, PA-50	940-050	1
9	Mastic Pump Outlet Plate	160-197	1
10	1/4" NPT Pipe Plug, Brass	420-092	4
11	Retaining Plate	400-009	2
12	1/4-20 x 5/8" Socket Head Cap Screw	322-102	4
13	Flow Control, Mastic Plug	400-018	1
14	1/4-20 X 4-1/2" Socket Head Cap Screw	322-119	2
15	DFS Accu-Flow™ Flow Control	940-015	1
16	1/4-20 x 4" Socket Hd. Cap Screw	322-116	2
17	O-Ring	520-051	1

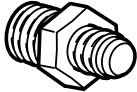
Figure A

**Fittings for Use With #8 Hoses
#8 JIC To 3/4" NPT Fitting**



**160-093
Straight**

**Fittings for Use With #10 Hoses
#10 JIC To 3/4" NPT Fitting**



**160-090
Straight**

