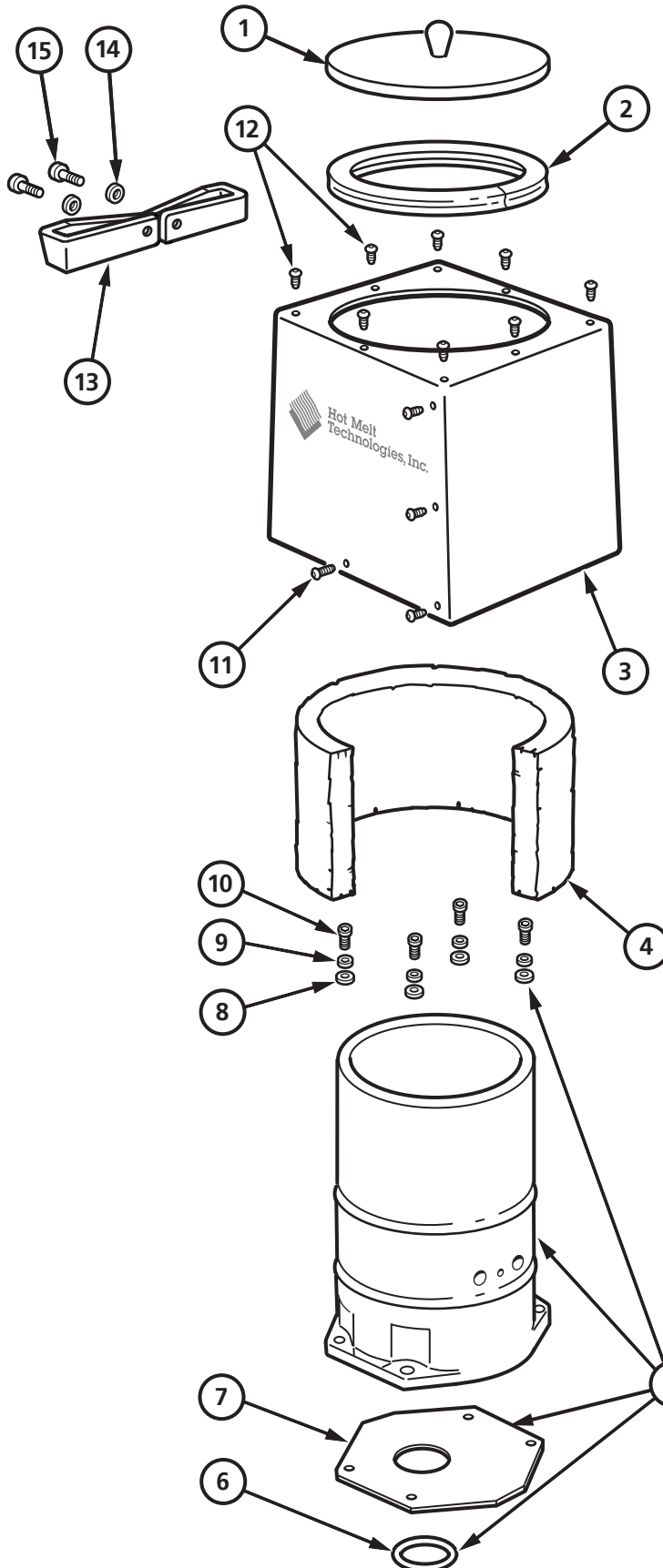




Tank Assembly 50-85 lb, ROF, 10" dia



BILL OF MATERIALS			
ITEM	DESCRIPTION	PART NO	QTY
1a	Tank Lid 10"	911-002	1
1b	Tank Lid 10", HSA (optional)	911-023	1
2	Tank Seal 10"	510-001	1
3a	Metal Shroud - 50 lb	911-250	1
3b	Metal Shroud - 85 lb	911-285	1
4	Tank Insulation	450-003	1
5a	DFS Tank Assembly - 50 lb ROF	911-052	1
5b	DFS Tank Assembly - 85 lb ROF	911-085	1
6	O-Ring - Teflon Encapsulated	520-031	1
7	Tank Gasket	510-025	1
8	1/4" Flat Washer	315-007	4
9	1/4" Lock Washer	316-007	4
10	1/4-20x7/8" Socket Head Cap Screw	322-104	4
11	10-32x1/2" Button Head Socket Screw	324-086	2
12	10-32x1/4" Button Head Socket Screw	324-084	14
13	Lid Caddy	330-135	1
14	1/4" Lock Washer	316-007	2
15	1/4-20x1/2" Button Socket Screw	324-137	2

