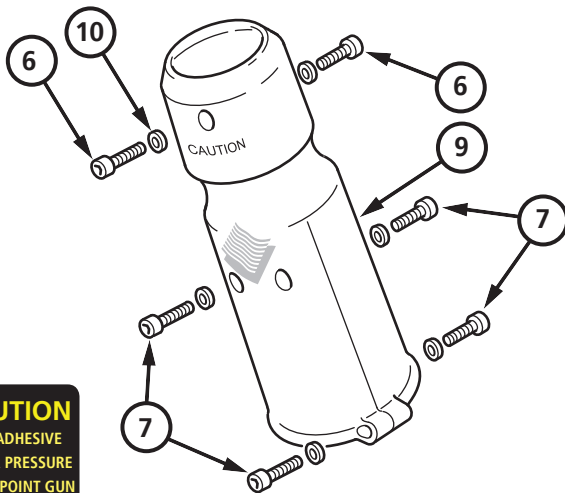
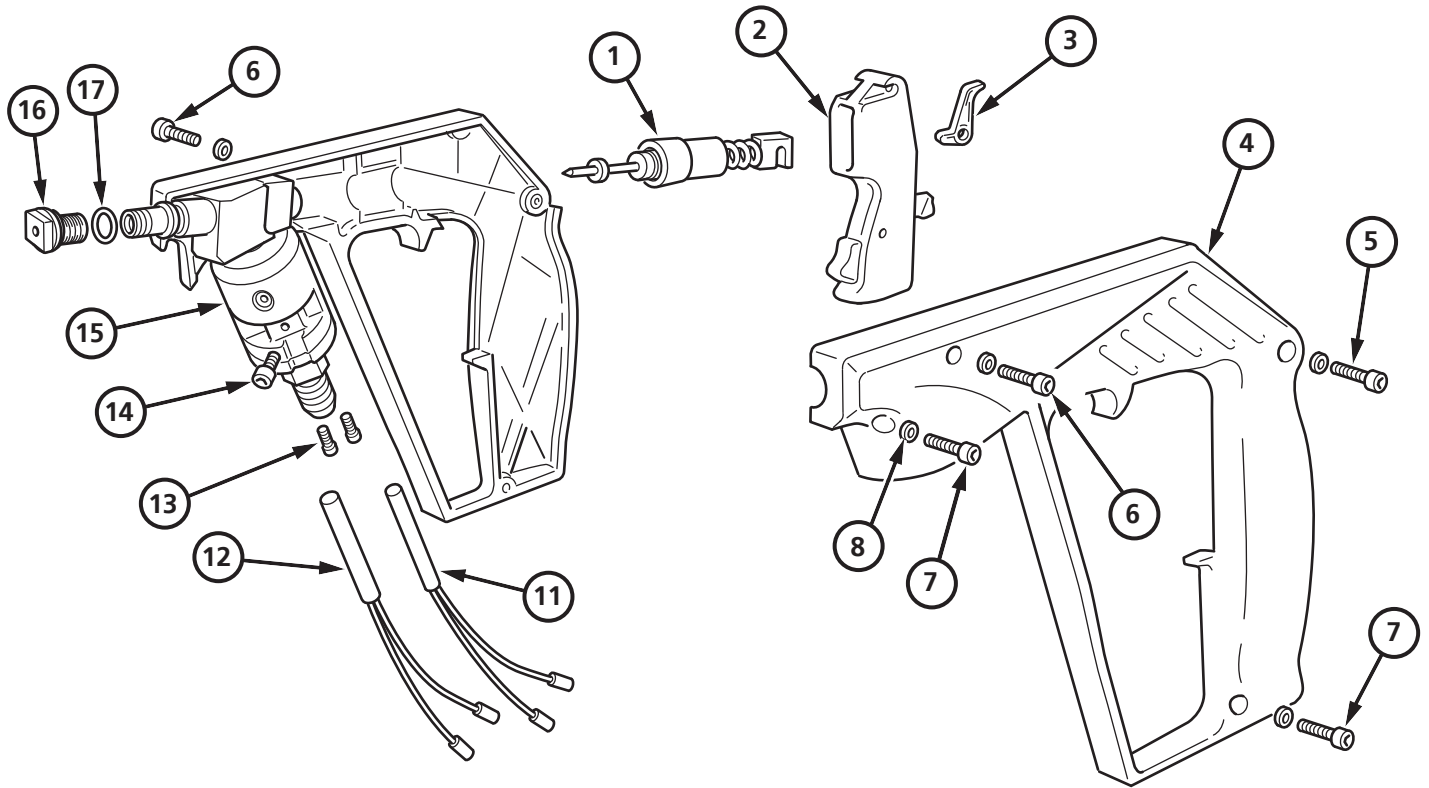




# XP 2000 Handguns 220 VAC Series



**CAUTION**  
 HOT ADHESIVE  
 UNDER PRESSURE  
 NEVER POINT GUN  
 AT ANYONE  
 DO NOT GET  
 HANDGUN WET  
 FRONT OF  
 HANDGUN IS  
 VERY HOT DURING  
 OPERATION

Sticker  
 340-029

\*When replacing the RTD or Heater each  
 require two (2) 221-089 Butt connectors

### BILL OF MATERIALS

ITEM	DESCRIPTION	PART NO	QTY
1	DFS Needle Kit	912-602	1
2	Safety Trigger Assembly	912-598	1
3	Trigger Lock	125-211	1
4	Gun Body Assembly	912-600	1
5	6-32 × 3/4" Soc. Hd Cap Screw	322-006	1
6	6-32 × 5/16" Soc. Hd Cap Screw	322-012	4
7	6-32 × 5/8" Soc. Hd Cap Screw (SS)	322-005	6
8	Gun Body Assembly Washer	125-035	11
9	Gun Cuff Assembly	912-601	1
10	#6 Lock Washer	316-003	2
11	RTD Assembly*	912-604	1
12	Heater Assembly 75 W*	912-605	1
13	6-32 × 1/4" Soc. Hd Cap Screw	322-002	2
14	6-32 × 1/8" Soc. Hd Cap Screw	322-001	1
15	Heater Body Assembly	912-603	1
16	Needle Seat	156-900	1
17	O-ring	520-037	1

