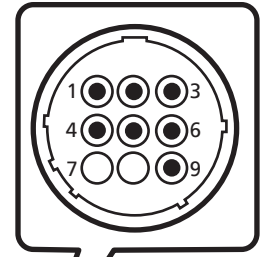
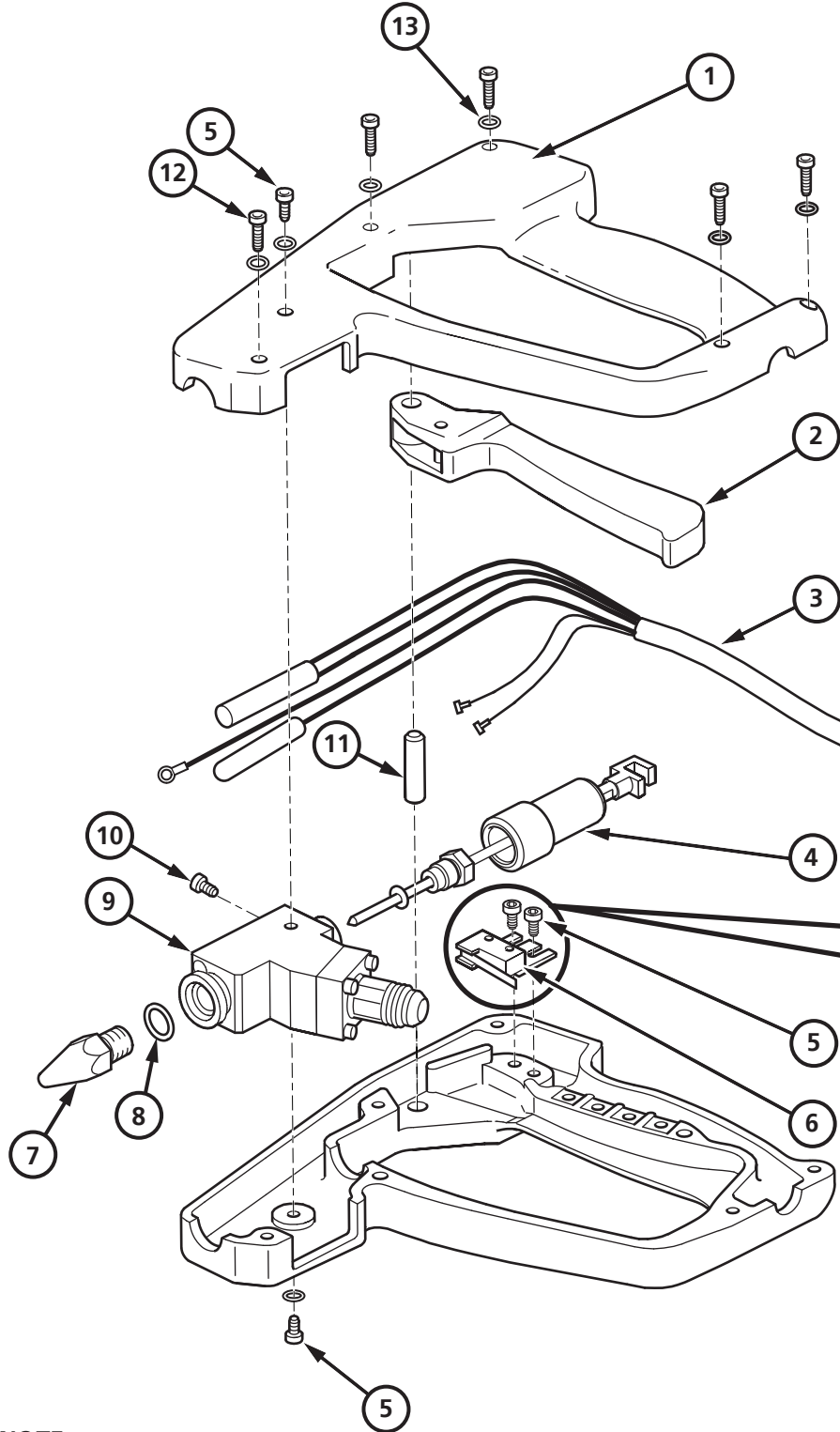
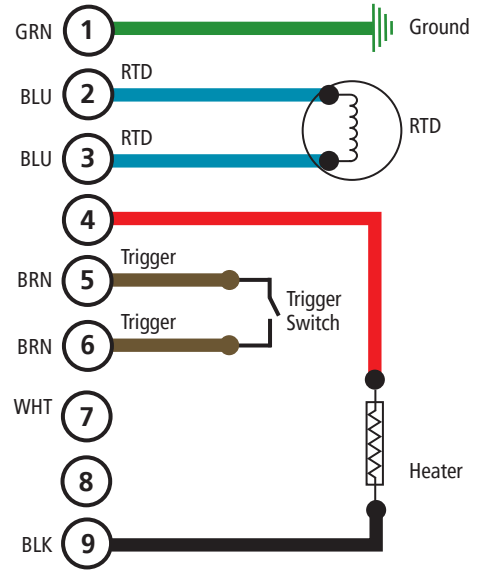
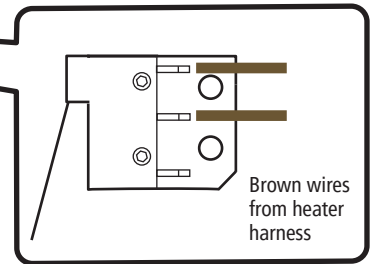




XP 400 Series Handguns 220 VAC



Pin Number Connection



Trigger Switch

Brown wires from heater harness

NOTE
See reverse for part numbers

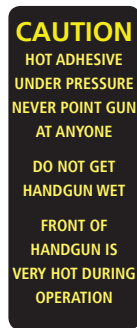




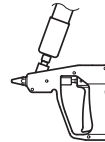
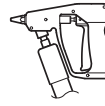
XP 400 Series Handguns **220 VAC**



Sticker
340-028



Sticker
340-029



YOUR GUN CONFIGURATION

Standard Hose Entry	
<input type="checkbox"/>	XP-401-RS, Linear Swivel
<input type="checkbox"/>	XP-403-RS, Ball Swivel
Top Hose Entry	
<input type="checkbox"/>	XP-401-RT, Linear Swivel
<input type="checkbox"/>	XP-403-RT, Ball Swivel
<input type="checkbox"/>	XP-433-RT, Ball Swivel

BILL OF MATERIALS					XP-401-RS	XP-403-RS	XP-401-RT	XP-403 RT	XP-433 RT
ITEM	DESCRIPTION	PART NO	QTY						
1a	Handgun Body (Standard)	125-001	1	●	●				
1b	Handgun Body (Top Entry)	125-002	1			●	●	●	
2	Trigger	125-004	1	●	●	●	●	●	
3a	DFS Heater Harness (Standard) 75 W	912-200	1	●	●				
3b	DFS Heater Harness (Top Entry) 75 W	912-201	1			●	●		
3c	DFS Heater Harness (Standard) 150 W	912-205	1	○	○				
3d	DFS Heater Harness (Top Entry) 150 W	912-206	1					●	
4	DFS Needle Assembly (Standard, Top Entry)	912-060		●	●	●			
5	6-32 X 1/4" Socket Head Cap Screws	322-002	4	●	●	●	●	●	
6	Trigger Switch	912-550	1	●	●	●	●	●	
7	Nozzle	See Nozzles	1	○	○	○	○	○	
8	O-ring	520-023	1	●	●	●	●	●	
9a	DFS Heater Body With Linear Swivel	912-547	1	●		●			
9b	DFS Heater Body With Ball Swivel	912-545	1		●		●	●	
10	6-32 X 1/8" Socket Head Cap Screws	322-001	1	●	●	●	●	●	
11	Trigger Pivot Pin	300-018	1	●	●	●	●	●	
12	6-32 X 1/2" Socket Head Cap Screws	322-004	5	●	●	●	●	●	
13	DG Handgun Body Assembly Washer	125-035	7	●	●	●	●	●	

● Standard
○ Optional

