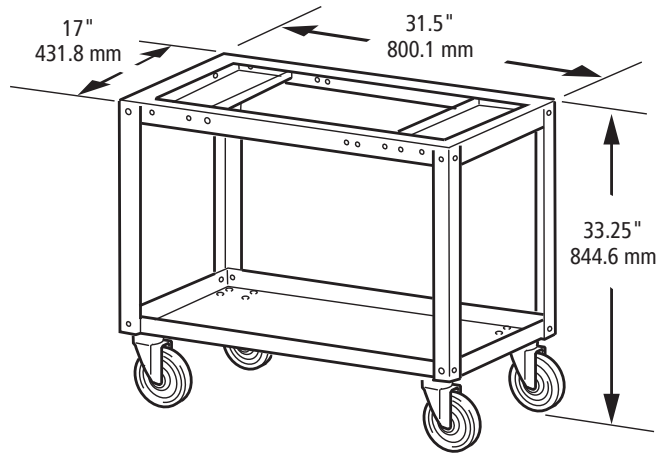




Standard Cart

921-011



For Benchmark 205LV systems use the inner most mounting positions for system support brackets.
For all other systems use the outer mounting positions.

