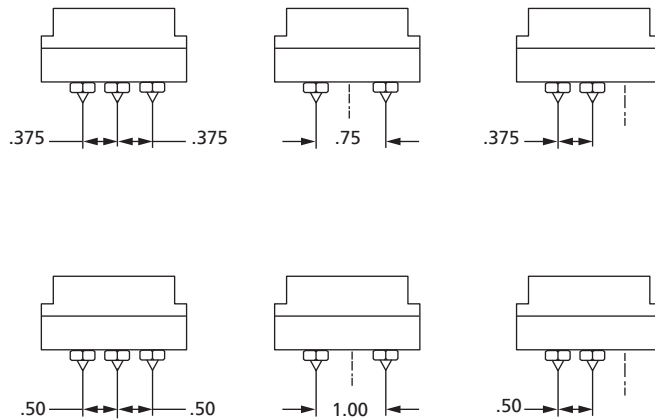
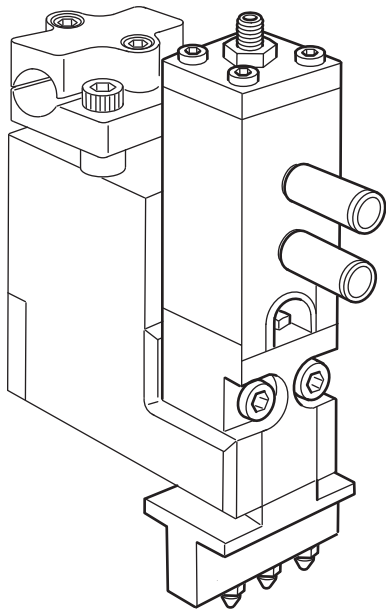


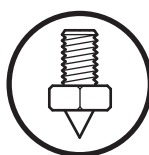
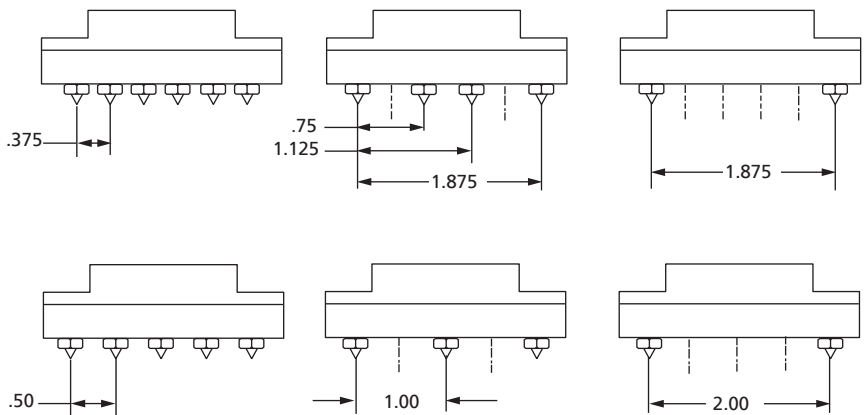
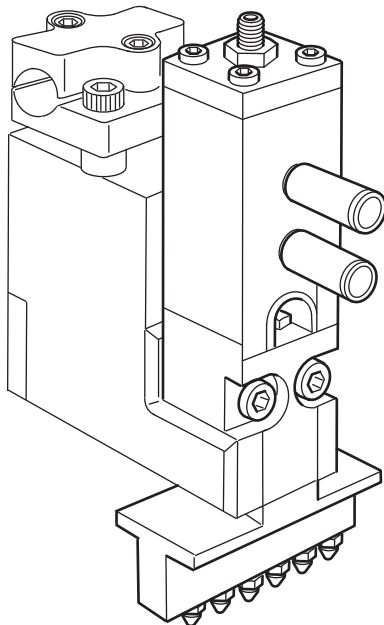


850 Multi-Bead Bar Nozzles

1" Bar Nozzle Base



2" Bar Nozzle Base



ORIFICE SIZE	PART NUMBER
.020"	156-104
.030" <i>Most commonly used</i>	156-107

Special spacing is available. Call factory for information.

