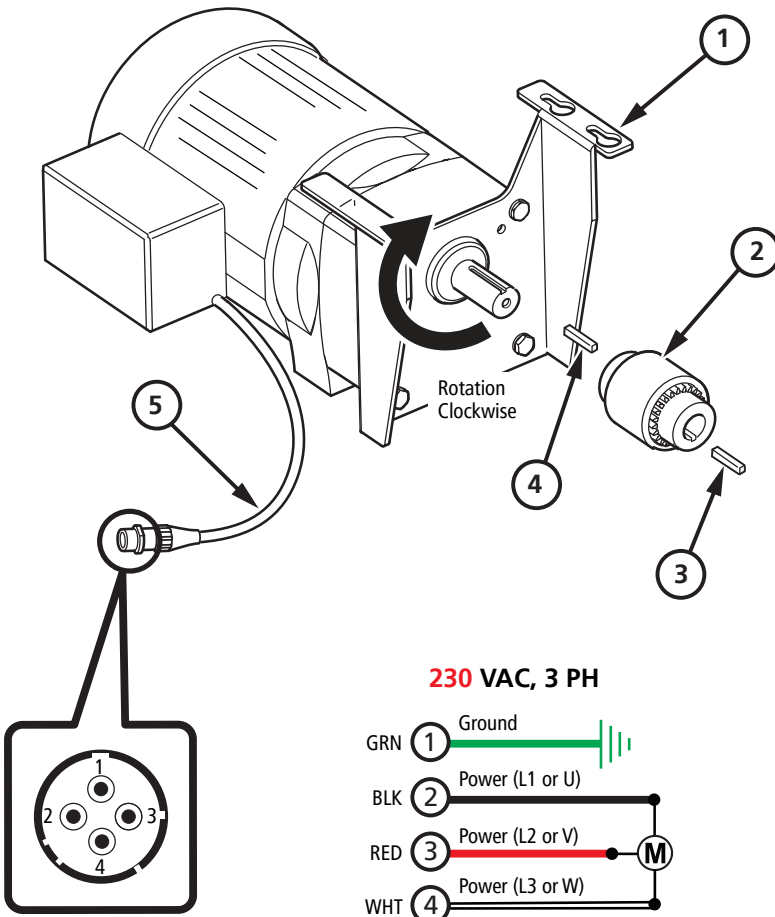




# Motor Assembly, 0-125 RPM, **230 VAC, 3 PH** 941-120

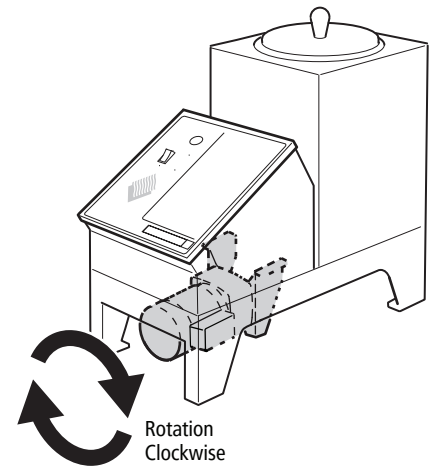


**NOTE**

For use with AC Motor Controllers

**934-125**

**934-127**



BILL OF MATERIALS			
ITEM	DESCRIPTION	PART NO	QTY
1a	Motor Mount	330-002	1
1b	Motor Mount, Mastic*	330-075	1
2	Coupler Assembly*	941-050	1
3	Square Key, 1/8" *	300-011	1
4	Square Key, 3/16"	300-012	1
5	Wiring Harness	926-612	1

\*Sold separately

**SYMBOL LEGEND**

	Ground
	Capacitor
	Motor

