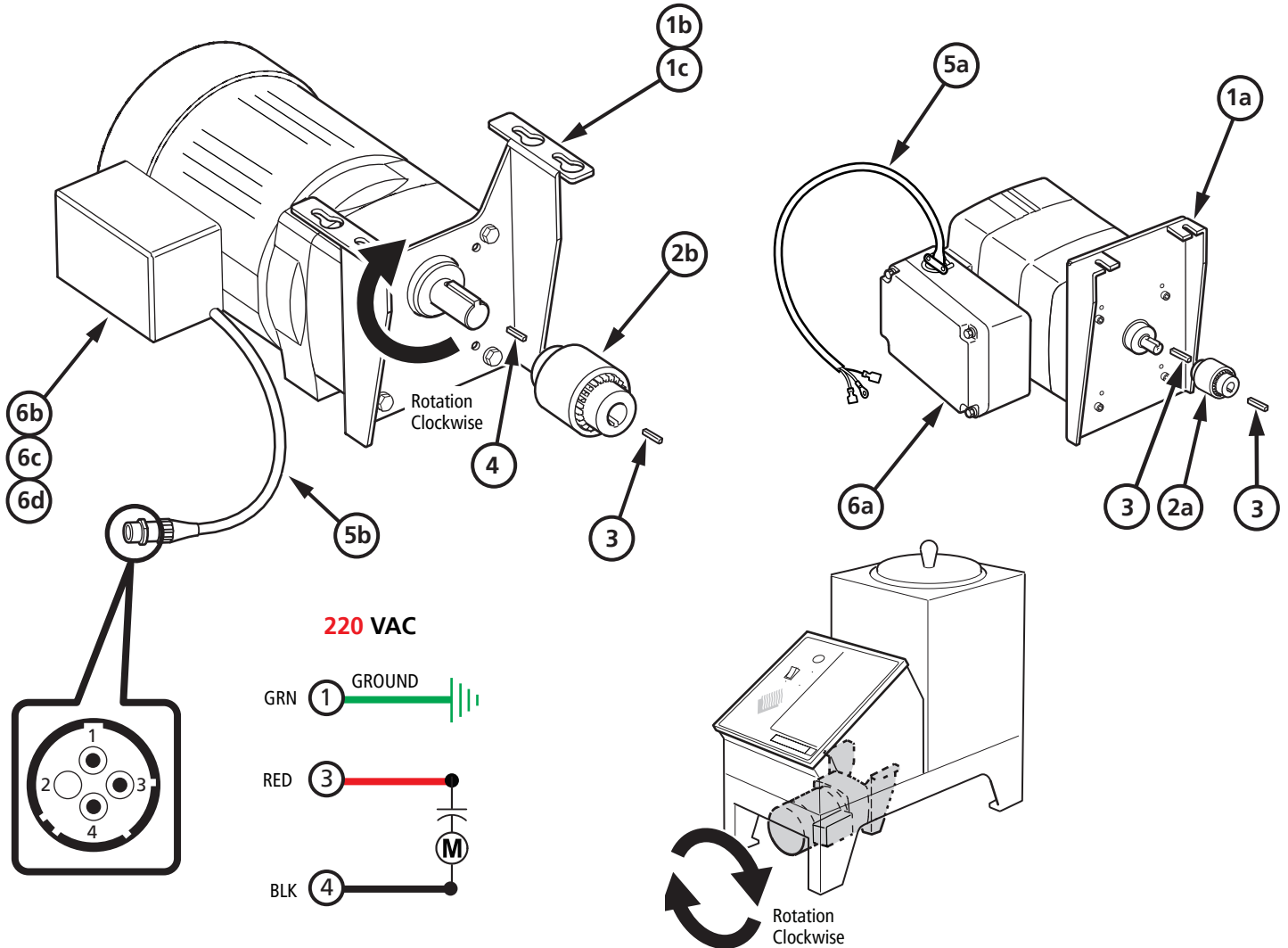




Motor Assembly, Fixed RPM, 220 VAC



BILL OF MATERIALS

ITEM	DESCRIPTION	PART NO	QTY
1a	Motor Mount, LV/HV	330-061	1
1b	Motor Mount, M/F/K*	330-002	1
1c	Motor Mount, Mastic*	330-075	1
2a	Coupler Assembly, LV/HV*	941-051	1
2b	Coupler Assembly, M/F/K*	941-050	1
3	Square Key, 1/8"*	300-011	1
4	Square Key, 3/16"	300-012	1
5a	Wire Harness, LV/HV	926-002	1
5b	Wire Harness, M/F/K	926-611	1
6a	Capacitor, LV/HV, 1.9 μ F	410-022	1
6b	Capacitor, M Motor, 20 μ F	410-030	1
6c	Capacitor, F Motor, 12.5 μ F	410-037	1
6d	Capacitor, K Motor, 15.0 μ F	410-023	1

*Sold separately

Example:

XP725-4-30-M

YOUR SYSTEM CONFIGURATION

Model	RPM	Motor Part No
LV/HV	43	941-017
M	86	941-240
F	113	941-213
K	170	941-171

SYMBOL LEGEND

	Ground
	Capacitor
	Motor

