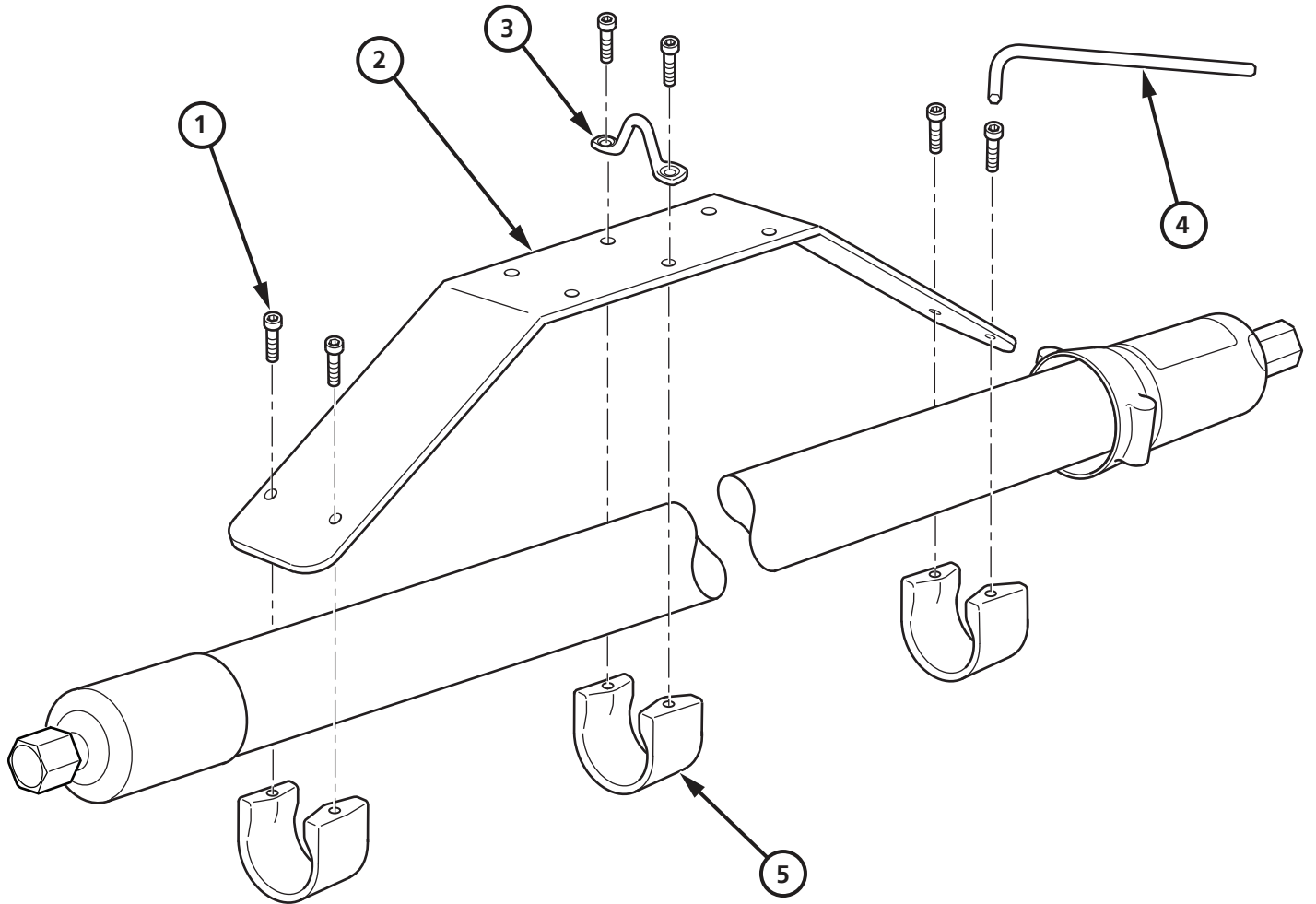




Hose Hammock

933-006



BILL OF MATERIALS			
ITEM	DESCRIPTION	PART NO	QTY
1	8-32 X 7/16" Socket Head Cap Screw	322-031	6
2	Hose Hammock	170-015	1
3	Pad-Eye	170-014	1
4	9/64" Allen Wrench	300-042	1
5	Hose Mounting Block	540-027	3

