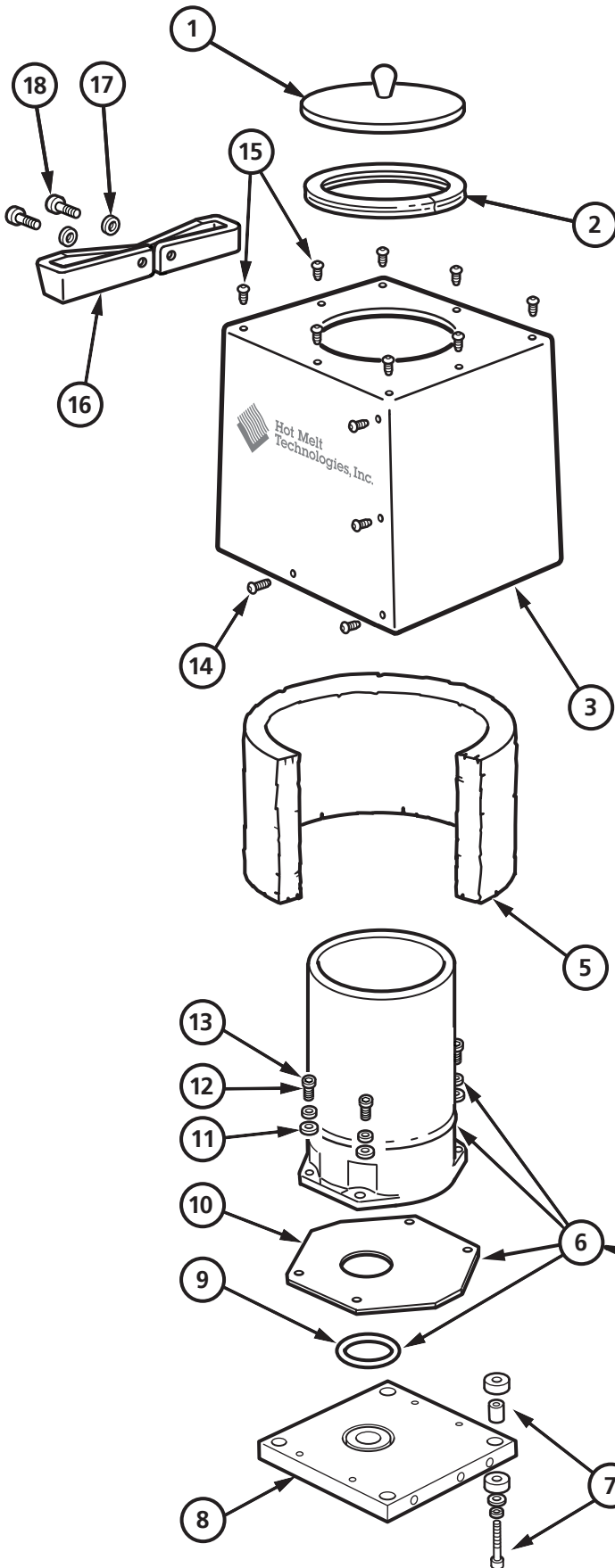




Tank Assembly 12–20 lb, 7" dia



| BILL OF MATERIALS | | | |
|-------------------|-------------------------------------|---------|-----|
| ITEM | DESCRIPTION | PART NO | QTY |
| 1a | Tank Lid 7" | 911-004 | 1 |
| 1b | Tank Lid 7", HSA (optional) | 911-019 | 1 |
| 2 | Tank Seal 7" | 510-015 | 1 |
| 3a | Metal Shroud - 12 lb | 911-212 | 1 |
| 3b | Metal Shroud - 17 lb | 911-217 | 1 |
| 3c | Metal Shroud - 20 lb | 911-220 | 1 |
| 4a | Tank Screen 1/4" Mesh (optional) | 420-061 | 1 |
| 4b | Tank Grid Bridge (optional) | 420-062 | 1 |
| 5 | Tank Insulation | 450-003 | 1 |
| 6a | DFS Tank Assembly - 12 lb | 911-013 | 1 |
| 6b | DFS Tank Assembly - 17 lb | 911-118 | 1 |
| 6c | DFS Tank Assembly - 20 lb | 911-021 | 1 |
| 7 | Heater Plate Mounting Hardware | 911-060 | 1 |
| 8 | Tank Heater Plate | 110-007 | 1 |
| 9 | O-Ring - Teflon Encapsulated | 520-031 | 1 |
| 10 | Tank Gasket | 510-024 | 1 |
| 11 | 1/4" Flat Washer | 315-007 | 4 |
| 12 | 1/4" Lock Washer | 316-007 | 4 |
| 13 | 1/4-20×7/8" Socket Head Cap Screw | 322-104 | 4 |
| 14 | 10-32×1/2" Button Head Socket Screw | 324-086 | 2 |
| 15 | 10-32×1/4" Button Head Socket Screw | 324-084 | 14 |
| 16 | Lid Caddy | 330-135 | 1 |
| 17 | 1/4" Lock Washer | 316-007 | 2 |
| 18 | 1/4-20×1/2" Button Socket Screw | 324-137 | 2 |

