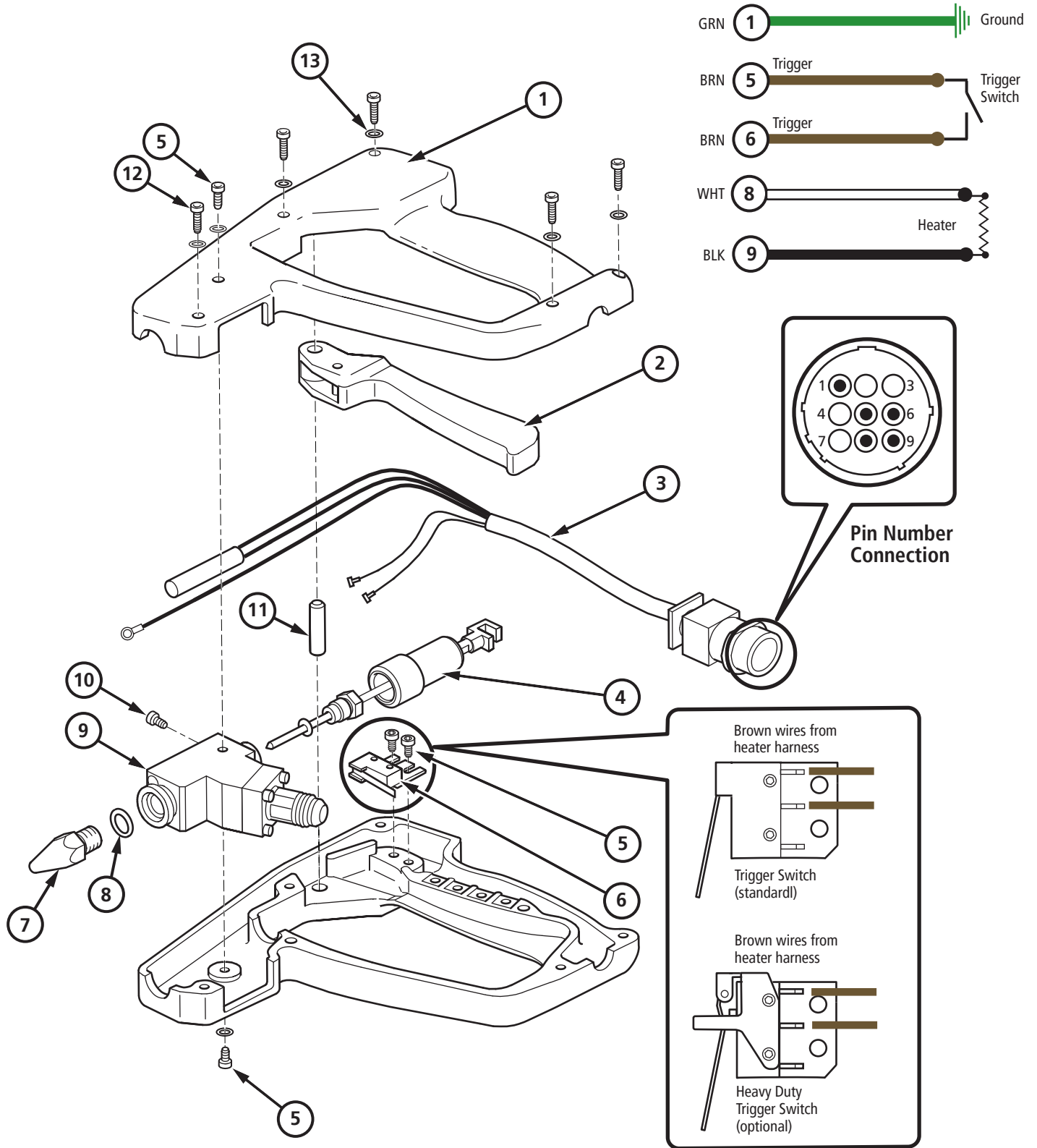




DG 400 Series ETC Handgun 120 VAC

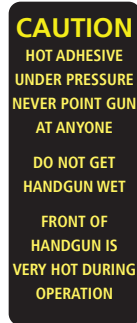




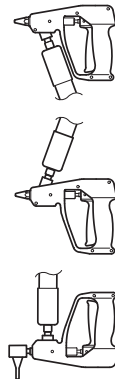
DG 400 Series ETC Handgun Parts List



340-028
Sticker



340-029
Sticker



YOUR GUN CONFIGURATION

Standard Hose Entry

DG-411-S, Linear Swivel

DG-413-S, 360 Plus Swivel

Top Hose Entry

DG-413-T, 360 Plus Swivel

In-Line Hose Entry

DG-513, 360 Plus Swivel

BILL OF MATERIALS				DG-411-S	DG-413-S	DG-413-T	DG-513
ITEM	DESCRIPTION	PART NO	QTY				
1a	Handgun Body (Standard, In-Line)	125-001	1	●	●		●
1b	Handgun Body (Top Entry)	125-002	1			●	
2	Trigger	125-004	1	●	●	●	●
3a	DFS Heater Harness (Standard, In-Line) 30 W	912-110	1	●	●		●
3b	DFS Heater Harness (Top Entry) 30 W	912-111	1			●	
3c	DFS Heater Harness (Standard, In-Line) 35 W	912-112	1	○	○		○
3d	DFS Heater Harness (Top Entry) 35 W	912-113	1			○	
4a	DFS Needle Assembly (Standard, Top Entry)	912-060	1	●	●	●	
4b	DFS Needle Assembly (In-Line)	912-061	1				●
5	6-32 X 1/4" Socket Head Cap Screws	322-002	4	●	●	●	●
6	Trigger Switch	912-550	1	●	●	●	●
7	Nozzle	See Nozzles	1	○	○	○	○
8	O-ring	520-023	1	●	●	●	●
9a	DFS Heater Body With Linear Swivel	912-547	1	●			
9b	DFS Heater Body With Ball Swivel	912-545	1		●	●	●
10	6-32 X 1/8" Socket Head Cap Screws	322-001	1	●	●	●	●
11	Trigger Pivot Pin	300-018	1	●	●	●	●
12	6-32 X 1/2" Socket Head Cap Screws	322-004	5	●	●	●	●
13	DG Handgun Body Assembly Washer	125-035	7	●	●	●	●

● Standard
○ Optional

