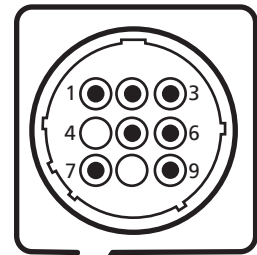
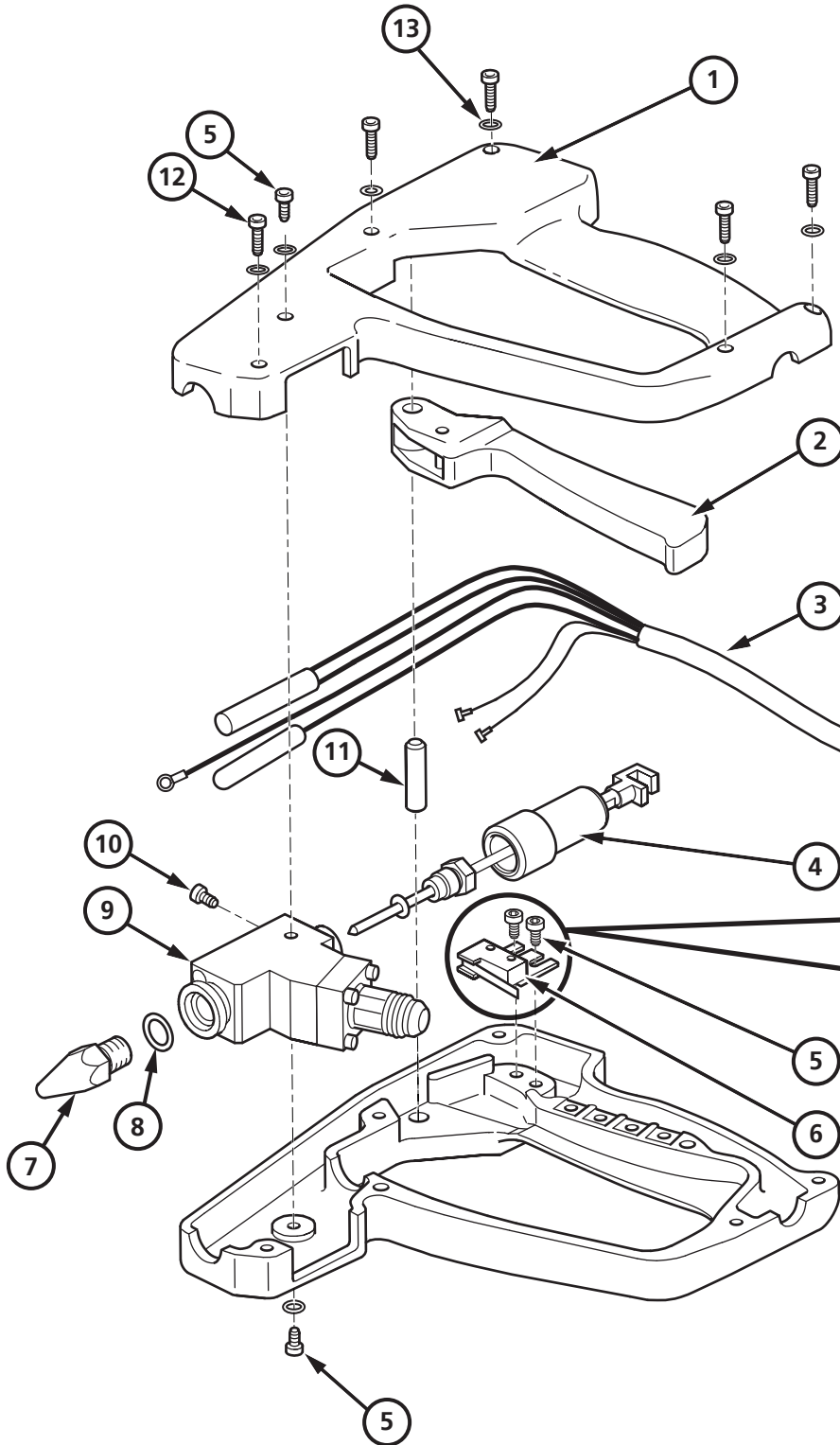
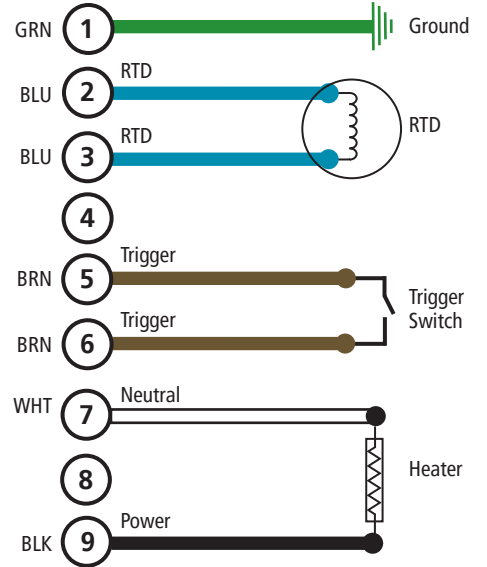
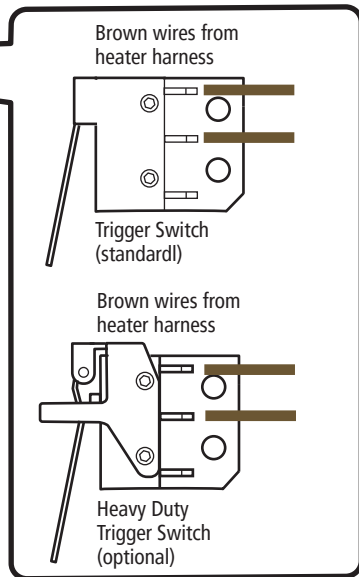




# DG 400 Series Handguns 120 VAC



Pin Number Connection



**NOTE**  
See reverse for part numbers

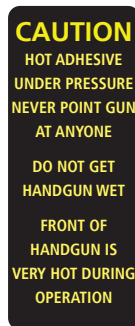




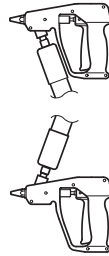
## DG 400 Series Handguns 120 VAC



Sticker  
340-028



Sticker  
340-029



### YOUR GUN CONFIGURATION

#### Standard Hose Entry



DG-401-RS, Linear Swivel  
Standard Hose Entry



DG-403-RS, Ball Swivel  
Standard Hose Entry

#### Top Hose Entry



DG-403-RT, Ball Swivel  
Top Hose Entry

BILL OF MATERIALS				DG-401-RS	DG-403-RS	DG-403-RT
ITEM	DESCRIPTION	PART NO	QTY			
1a	Handgun Body (Standard)	125-001	1	●	●	
1b	Handgun Body (Top Entry)	125-002	1			●
2	Trigger	125-004	1	●	●	●
3a	DFS Heater Harness (Standard) 75 W	912-100	1	●	●	
3b	DFS Heater Harness (Top Entry) 75 W	912-101	1			●
3c	DFS Heater Harness (Standard, 150 W)	912-105	1	○	○	
3d	DFS Heater Harness (Top Entry) 150 W	912-106	1			○
4	DFS Needle Assembly (Standard, Top Entry)	912-060	1	●	●	●
5	6-32 X 1/4" Socket Head Cap Screws	322-002	4	●	●	●
6a	Trigger Switch (standard)	912-550	1	●	●	●
6b	Trigger Switch Heavy Duty (optional)	912-551	1	○	○	○
7	Nozzle	See Nozzles	1	○	○	○
8	O-ring	520-023	1	●	●	●
9a	DFS Heater Body With Linear Swivel	912-547	1	●		
9b	DFS Heater Body With Ball Swivel	912-545	1		●	●
10	6-32 X 1/8" Socket Head Cap Screws	322-001	1	●	●	●
11	Trigger Pivot Pin	300-018	1	●	●	●
12	6-32 X 1/2" Socket Head Cap Screws	322-004	5	●	●	●
13	DG Handgun Body Assembly Washer	125-035	7	●	●	●

● Standard  
○ Optional

**NOTE**

See reverse for exploded view

