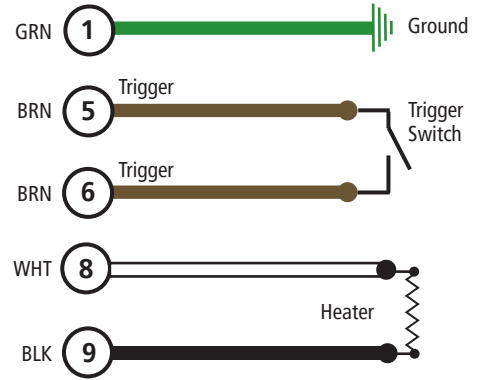
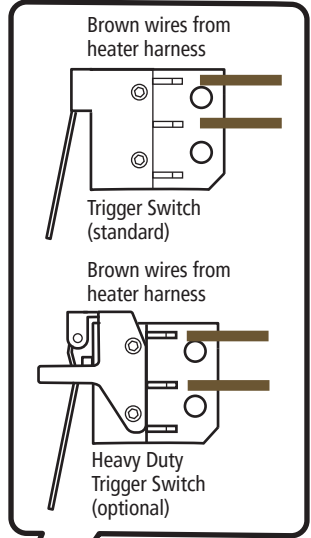
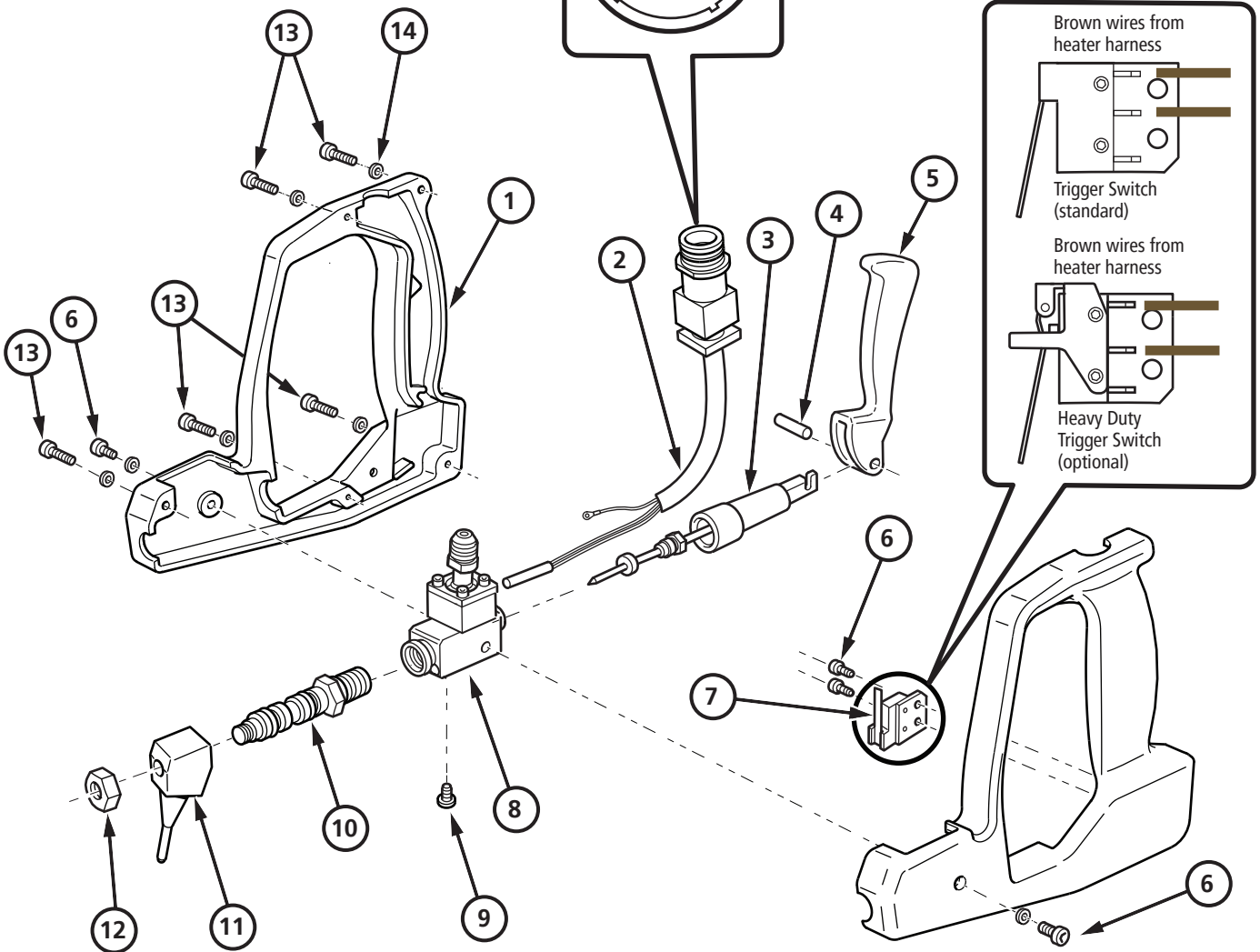
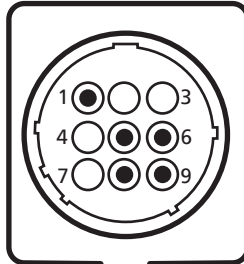




DG 500 Series ETC Handgun 120 VAC



Pin Number Connection

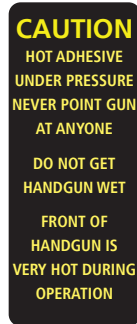




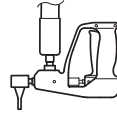
DG 500 Series ETC Handgun Parts List



340-028
Sticker



340-029
Sticker



YOUR GUN CONFIGURATION

In-Line Hose Entry



DG-513, 360 Plus Swivel

BILL OF MATERIALS			
ITEM	DESCRIPTION	PART NO	QTY
1	Handgun Body	125-001	1
2a	DFS Heater Harness 30 W	912-110	1
2b	DFS Heater Harness (optional) 35 W	912-112	1
3	DFS Needle Assembly	912-061	1
4	Trigger Pivot Pin	300-018	1
5	Trigger	125-004	1
6	6-32 X 1/4" Socket Head Cap Screws	322-002	4
7a	Trigger Switch (standard)	912-550	1
7b	Trigger Switch Heavy Duty (optional)	912-551	1
8	DFS Heater Body With Ball Swivel	912-545	1
9	6-32 X 1/8" Socket Head Cap Screw	322-001	1
10	Needle Seat	156-010	1
11	Nozzle	See Nozzles	1
12	Retaining Nut	310-026	1
13	6-32 X 1/2" Socket Head Cap Screws	322-004	5
14	DG Handgun Body Assembly Washer	125-035	7

