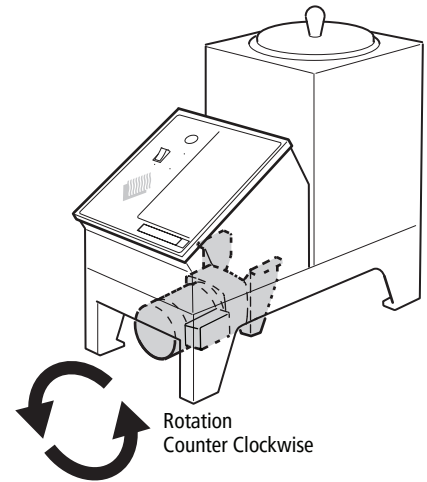
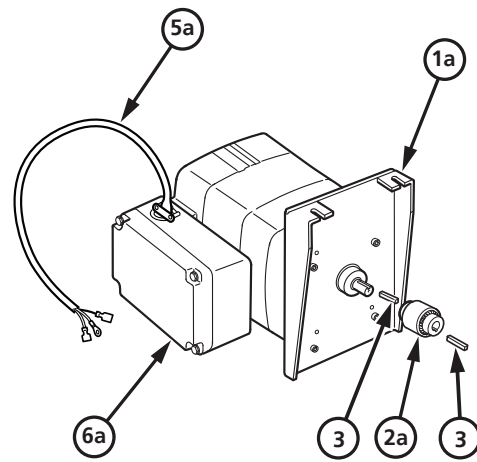
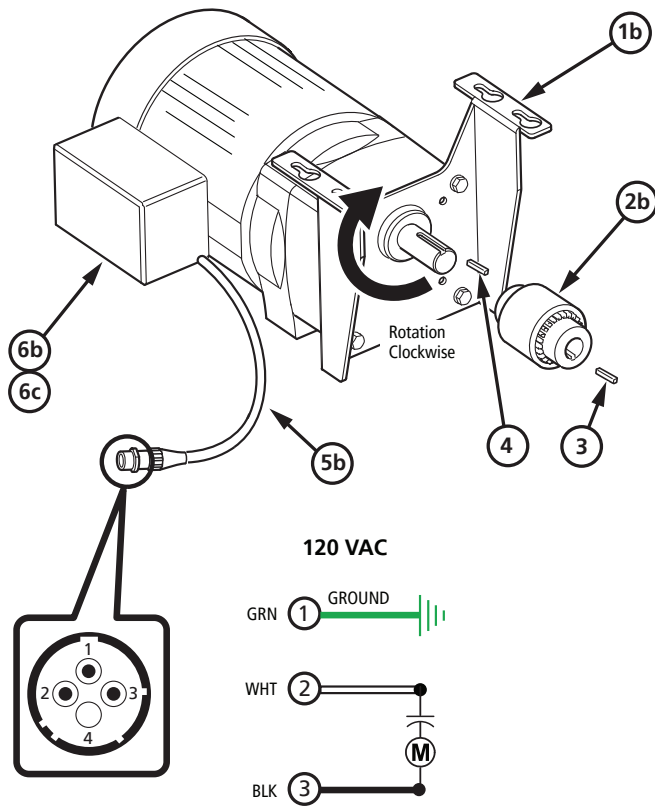




Motor Assembly, Fixed RPM, 120 VAC



BILL OF MATERIALS

ITEM	DESCRIPTION	PART NO	QTY
1a	Motor Mount, LV/HV	330-061	1
1b	Motor Mount, M/F/K*	330-002	1
1c	Motor Mount, Mastic*	330-075	1
2a	Coupler Assembly, LV/HV*	941-051	1
2b	Coupler Assembly, M/F/K*	941-050	1
3	Square Key, 1/8"*	300-011	1
4	Square Key, 3/16"	300-012	1
5a	Wire Harness, LV/HV	926-002	1
5b	Wire Harness, M/F/K	926-610	1
6a	Capacitor, LV/HV	410-021	1
6b	Capacitor, F Motor	410-030	1
6c	Capacitor, K Motor	410-033	1
6d	Capacitor, M Motor	410-034	1

*Sold separately

Example:

BM725-3-30-M

YOUR SYSTEM CONFIGURATION

Model	RPM	Motor Part No
LV/HV	43	941-016
M	86	941-040
F	113	941-133
K	170	941-170

SYMBOL LEGEND

	Ground
	Capacitor
	Motor

