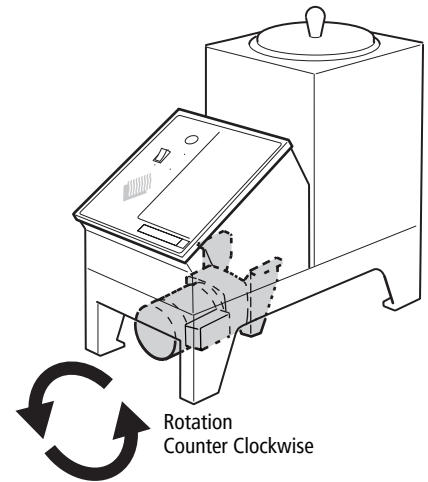
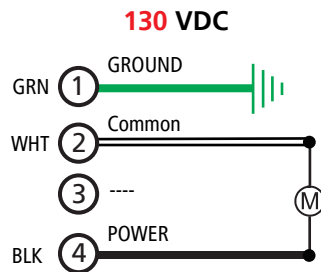
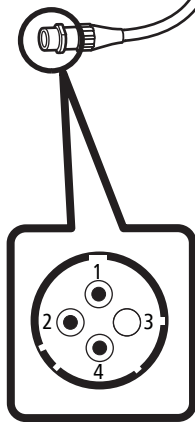
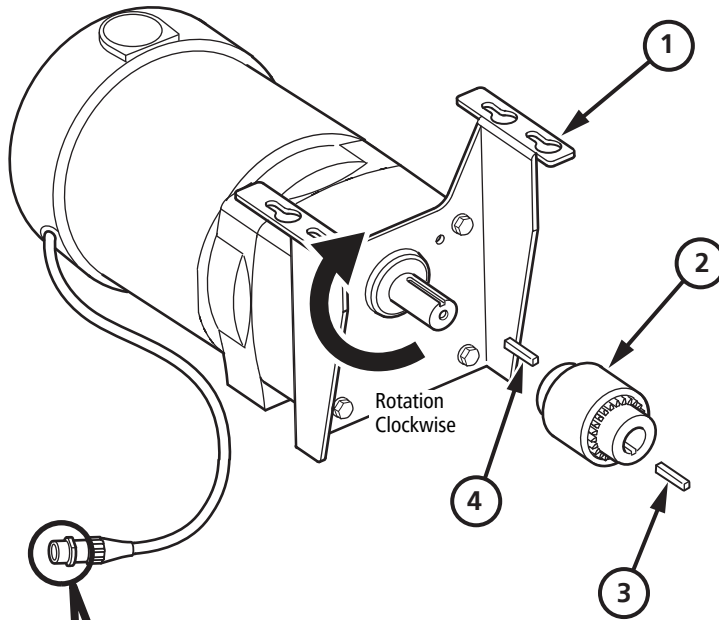




# Motor Assembly, 0-125 RPM, 130 VDC

941-125



### BILL OF MATERIALS

ITEM	DESCRIPTION	PART NO	QTY
1	Motor Mount	330-002	1
2	Coupler Assembly*	941-050	1
3	Square Key, 1/8" *	300-011	1
4	Square Key, 3/16"	300-012	1

\*Sold separately

### SYMBOL LEGEND

	Ground
	Capacitor
	Motor

