



Hot Melt Sealant

Typical Physical Properties

- ▶ Typical Application Temperature Range: 300°F – 330°F
- ▶ Softening Point: 220°F
- ▶ Color: Off-White, White, Gray

General Uses and Product Characteristics

HMT-8101 is a rubber-based sealant for use in metal roof roll forming or similar applications. The compound is ideal for field use where low compression resistance is desirable during roof installation and high recovery and heat resistance afterwards when the roof is in service.

Technical Information

Cold Temp. Flex.....	Passes
Specific Gravity	1.25 – 1.35
Adhesive Tensile (ASTM D987-78)	>25 psi
Plasticizer Migration.....	None
Elongation (0°F, 77°F)	450%, 900%
MBNA Water Damming Test.....	Passes
Aging (1000 hrs)	Slight Surface Haze
Slump.....	None
Tensile Strength (ASTM D412 Die C)	40 psi
Water Resistance.	Excellent

Storage and Handling Suggestions

Store in cool, dry place in the original shipping container only. Keep container closed and tightly sealed when not in use to avoid contamination.

Packaging Information

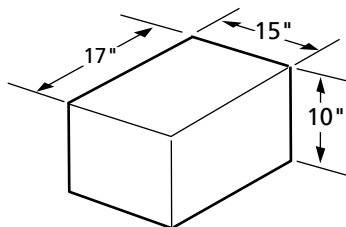
Package changes can occur without notice.

Approx. Pallet Dimensions: L=51", W=42", H=33"

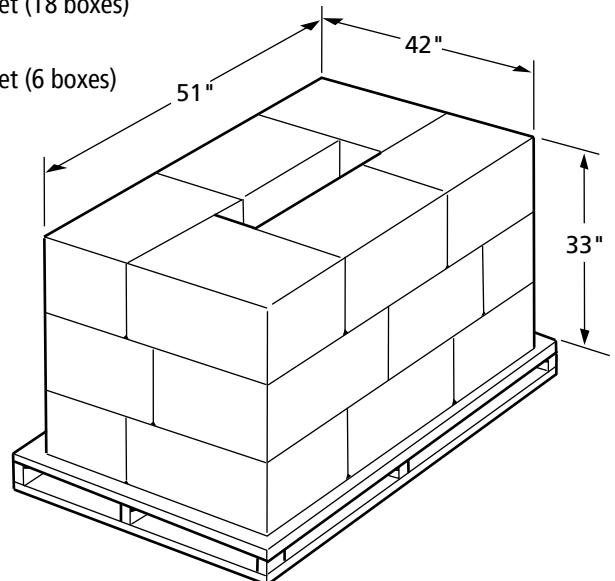
Full Pallet Weight: 990 lb Net (18 boxes)

Rows per Full Pallet: 3

Weight per Row: 330 lb Net (6 boxes)



Container Type: Box
 Container Dimensions: L=17", W=15", H=10"
 Container Weight: 55 lb Net



8101

Chemistry

Synthetic Resin

Form

Blocks

Shelf Life

One year from the date of shipment.

Standard Disclaimer

The data presented is based on tests standard to the adhesive industry. Because we have no control over the application process or the substrates used by the customer, HMT can not certify the performance of the assembly the adhesive is used on. HMT will assume no responsibility for results obtained or for incidental or consequential damages arising from the use of this adhesive.



Hot Melt Technologies, Inc.
 No One Puts It Together Like HMT[®]

1723 W Hamlin Road, Rochester Hills, MI 48309 (248) 853-2011 www.hotmelt-tech.com

06/01/2020