

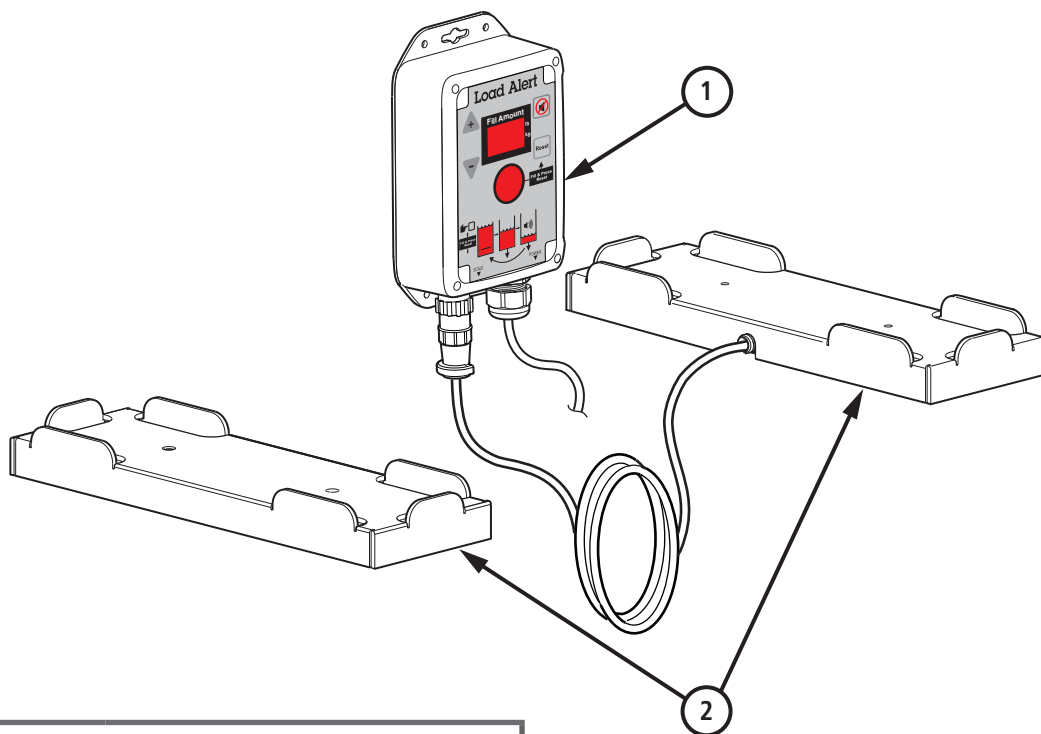


Load Alert

LA-X-X, 8 – 85 lb

HMT’s Pro-Fill Load Alert is a weight sensing device designed to notify the operator when the melt tank needs to be re-filled.

- A full melt tank provides a steady, uninterrupted flow of hot melt.
- A full tank takes full advantage of HMT’s Melt-On-Demand design.
- A full tank reduces the potential for adhesive degradation and the formation of char...
- And, most importantly, it eliminates “I forgot to fill the tank” downtime.



PART NO	DESCRIPTION
LA-W-1	120 V Wall Power (NEMA 5-15P)
LA-W-2	220 V Wall Power (Blunt-Cut Cord)
LA-M-1	120 V Machine Power (IEC C14)
LA-M-2	220 V Machine Power (IEC C14)

BILL OF MATERIALS			
ITEM	DESCRIPTION	PART NO	QTY
1	Control Box Assembly	910-120	1
2	Scale Platform Assy, 8-85 lb	910-121	1